

# User Manual

BV series

Driven by an electric motor or diesel engine



## Product and Dealer information

### Note

For the specifications of the pump, drive unit and enclosure, refer to the corresponding type plates.

Delivery date : \_\_\_\_\_

### Product information

Model : \_\_\_\_\_

Product identification number : \_\_\_\_\_

Motor serial number : \_\_\_\_\_

Pump serial number : \_\_\_\_\_

Trailer serial number (optional) : \_\_\_\_\_

Customer's product number : \_\_\_\_\_

Dealer's product number : \_\_\_\_\_

### Dealer information

Name : \_\_\_\_\_

Address : \_\_\_\_\_

City : \_\_\_\_\_

Country : \_\_\_\_\_

Dealer contact    Telephone number    Email

Sales : \_\_\_\_\_

Parts : \_\_\_\_\_

Service : \_\_\_\_\_

# Table of contents

## BV series pumps

	Product and Dealer information.....	pag. 1.1
1	Description, application and working principle	
1.1	Description.....	pag. 1.1
1.2	Construction and working principle of the pump.....	pag. 1.1
1.3	Intended use.....	pag. 1.3
1.4	Unintended use .....	pag. 1.3
1.5	Warranty .....	pag. 1.4
2	Gegevens	
2.1	Specificatiebladen .....	pag. 2.1
2.2	Verklaring typecode.....	pag. 2.1
2.3	Sound level.....	pag. 2.2
2.4	Applied directives and standards.....	pag. 2.4
3	Warnings and safety instructions	
3.1	Warning and safety symbols .....	pag. 3.1
3.2	Safety instructions – general .....	pag. 3.1
3.3	Safety instructions – pump .....	pag. 3.2
3.4	Emergency stop.....	pag. 3.3
3.5	Safety instructions – electrically driven pump unit.....	pag. 3.4
3.6	Safety instructions – diesel engine driven pump unit .....	pag. 3.4
3.7	Safety instructions – during maintenance and repair .....	pag. 3.4

3.8	Training and knowledge level of personnel .....	pag. 3.5
3.9	Environmental protection.....	pag. 3.5
3.10	Designations on the pump or pump unit.....	pag. 3.6
4	Receiving, transport and storage	
4.1	Receiving.....	pag. 4.1
4.2	Transport.....	pag. 4.1
4.3	Lifting instructions for pump only.....	pag. 4.2
4.4	Lifting instructions for pump unit.....	pag. 4.3
4.5	Moving the pump unit with a forklift.....	pag. 4.5
4.6	Storage/preservation 6-12 months.....	pag. 4.5
4.7	Storage longer than 6-12 months.....	pag. 4.6
4.8	Inspection during storage.....	pag. 4.6
4.9	Transport of pump with preservation agent.....	pag. 4.6
4.10	Removal of preservation agent.....	pag. 4.7
5	Pump unit installation	
5.1	Placement – general.....	pag. 5.1
5.2	Outdoor use.....	pag. 5.3
5.3	Indoor use.....	pag. 5.4
5.4	Placement in an area with a potentially flammable or explosive atmosphere.....	pag. 5.4
5.5	Piping guidelines – general.....	pag. 5.4
5.6	Suction pipe.....	pag. 5.6
5.7	Pressure pipe.....	pag. 5.14
5.8	Suction strainer.....	pag. 5.14
6	Pump – general	
6.1	Preparation for starting the pump or pump unit.....	pag. 6.1
6.2	Preparations for starting.....	pag. 6.2
6.3	Starting.....	pag. 6.2
6.4	Monitoring during operation.....	pag. 6.4

## BV series pumps

6.5	Stopping.....	pag. 6.4
6.6	Draining the pump when there is a danger of freezing .....	pag. 6.5
7	Pump unit with electric drive	
7.1	Safety instructions .....	pag. 7.1
7.2	Connection – general.....	pag. 7.1
7.3	Electrical connection .....	pag. 7.2
7.4	Control panel .....	pag. 7.2
7.5	Safeguards .....	pag. 7.4
7.6	Electric motors .....	pag. 7.5
7.7	Commissioning .....	pag. 7.6
7.8	Checking the direction of rotation .....	pag. 7.6
7.9	Starting .....	pag. 7.7
7.10	Stopping.....	pag. 7.7
8	Pump unit with diesel drive	
8.1	Safety instructions .....	pag. 8.1
8.2	Connection – general.....	pag. 8.1
8.3	Control panel for mechanically regulated engine.....	pag. 8.2
8.4	Control panel for electronically regulated engine.....	pag. 8.4
8.5	Connection of auxiliary fuel supply (optional) .....	pag. 8.7
8.6	Starting – general .....	pag. 8.8
8.7	Shutting down – general .....	pag. 8.10
8.8	Diesel drive – Perkins engine .....	pag. 8.10
8.9	Hatz 4L41C engine .....	pag. 8.27
9	Maintenance	
9.1	General .....	pag. 9.1
9.2	Safety instructions during maintenance, repair and inspection.....	pag. 9.1
9.3	Protecting electrically driven pump unit against unintended activation.....	pag. 9.2
9.4	Protecting diesel engine driven pump unit against unintended activation .....	pag. 9.2

9.5	Maintenance instructions.....	pag. 9.2
9.6	Daily maintenance of the pump.....	pag. 9.3
9.7	Other pump maintenance.....	pag. 9.3
9.8	Shipping the pump or pump unit.....	pag. 9.7
9.9	Drain and clean pump.....	pag. 9.7
9.10	External cleaning of the pump or pump unit.....	pag. 9.9
10	Troubleshooting tables	
10.1	Troubleshooting table – pump (general).....	pag. 10.1
10.2	Troubleshooting table – electric drive.....	pag. 10.4
10.3	Troubleshooting table – diesel engine drive.....	pag. 10.5
11	End of life	
11.1	Disposal.....	pag. 11.1
	CE Declaration.....	pag. 12.1

This user manual is for the BV series of pumps. The original version was written in Dutch by BBA Pompen en Buizen BV.

The BV series of pumps are manufactured by:  
BBA Pompen en Buizen BV  
Zutphensestraat 242  
7325 WV Apeldoorn  
The Netherlands

Hereafter, the manufacturer will simply be referred to as BBA Pumps.

<b>Service department tel. no.</b>	<b>The Netherlands</b>	<b>International</b>
during business hours:	+31 (0)314 368444	+31 (0)314 368436
after business hours:	+31 (0)88 2981722	+31 (0)88 2981744
Fax:	+31 (0)314 335047	
Email:	info@bbapumps.com	
Website:	www.bbapumps.com	

© 2014 BBA Pumps BV Apeldoorn, The Netherlands

No part of this publication may be reproduced in any form whatsoever without the prior written permission of BBS Pumps BV.

#### Disclaimer

Despite the care that has been put into the compilation of the text and illustrations, neither the author nor the publisher can be held liable for any consequential damages resulting from possible errors in this publication.

The original manual was written in Dutch. Versions in other languages are translations of the original instructions. A translation may contain information that differs from the original due to interpretation of the content and meaning of the original text.

In the case of such discrepancies, the original Dutch-language instructions will be considered the sole authentic source for the purpose of determining the content and meaning of the text.

This manual reflects the state of the art in technology at the time of publication.

BBA Pumps BV reserves the right to make changes to technical and design specifications at any time without prior notice.

Publication date: 1401  
EN manual:9700010311



### Preface

This user manual contains information for the installation, use and user maintenance of a pump from the BV series. The information in this manual must therefore be strictly followed. Read and understand the manual completely before installing and commissioning the pump.

Contact BBA Pumps if you have any questions or anything is unclear.

BBA Pumps cannot be held responsible for accidents and/or damage that result from failure to follow the guidelines in this manual.

Keep this manual with the pump. You can order an extra copy of the manual from BBA Pumps.

This manual is part of the pump. If the pump is transferred to another user, this manual must accompany it.

Depending on which drive motor/engine is used, this user manual may be accompanied by the manual for the drive motor/engine. Read the supplied manual carefully and follow the procedures and safety instructions.

### Version and application

The BV series consists of different types of pumps in various versions. The pump is available as a separate component or as a complete installation. The complete pump unit can be driven by an electric motor or diesel engine and can be mounted on an open frame, on a half-closed frame or in a noise attenuating enclosure.

Where the term 'enclosure' is used in this manual it should be understood to mean all of the various frames and enclosures. For movement around the site, the pump frame can be equipped with wheels and a tow bar.

The pumps are suitable for pumping sludge and bentonite. The pump is equipped with a vacuum system, so the pump is self-priming.

#### Note

Because the BV series consists of a number of different types of pumps in various versions, the illustrations in this manual may not match the actual situation.

## BV series pumps

# 1 Description, application and working principle

## 1.1 Description

The BV series of pumps, with their large solids handling capacity and good wear resistance, are perfect for applications in the drilling industry and special foundation techniques.

The solids handling capacity is specified on the data sheet that accompanies the pump unit.

The pumps have a wear plate or wear ring that can be replaced quickly. Because few moving parts come into contact with the liquid, the pump is subject to minimal wear.

The design includes large cleaning covers so the pump can be cleaned internally.

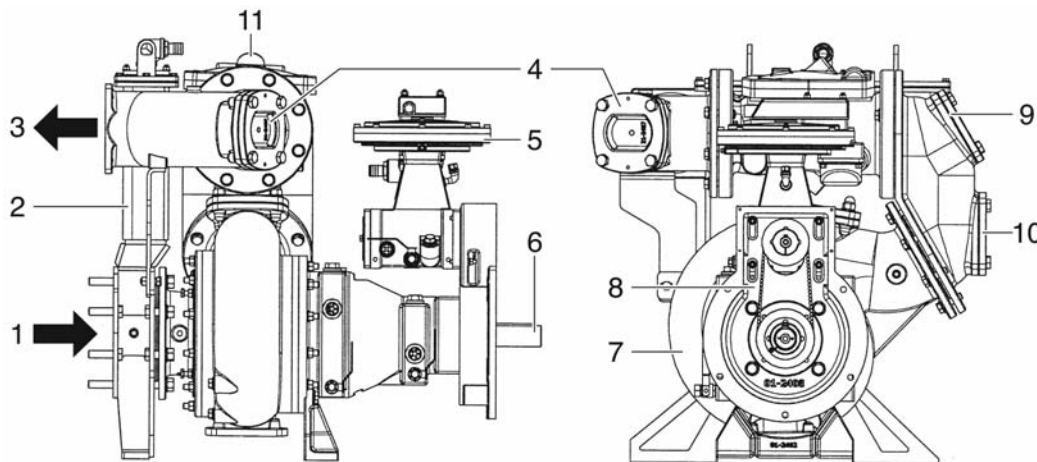
The design of the pump shaft seal is dependent on the application. The standard configuration includes oil cooling of the pump shaft seal. This characteristic is indicated by a code in the type designation.

The data sheet that accompanies the pump includes all data for the pump or pump unit.

Before the pump or pump unit is connected, an assessment must always be made to determine whether it is suitable for the intended application.

## 1.2 Construction and working principle of the pump

### Construction



The pump consists of the following main components:

1. Suction side
2. Float chamber
3. Pressure side
4. Cleaning cover

5. Vacuum pump
6. Drive shaft
7. Pump housing
8. Vacuum pump drive
9. Cleaning cover
10. Cleaning cover
11. Non-return valve

### Working principle of the vacuum system

The BV dry-prime centrifugal pump distinguishes itself from the normal-priming centrifugal pump through the inclusion of a separate vacuum pump.

The redundant vacuum pump configuration is driven by the drive shaft via a belt.

The vacuum pump draws the air out of the suction line and pump housing via a float chamber.

To ensure that vacuum develops in the suction line and the pump housing, a non-return valve is present on the pressure side of the pump.

Once sufficient vacuum has developed, the pump housing fills itself with liquid and the pump begins moving the liquid.



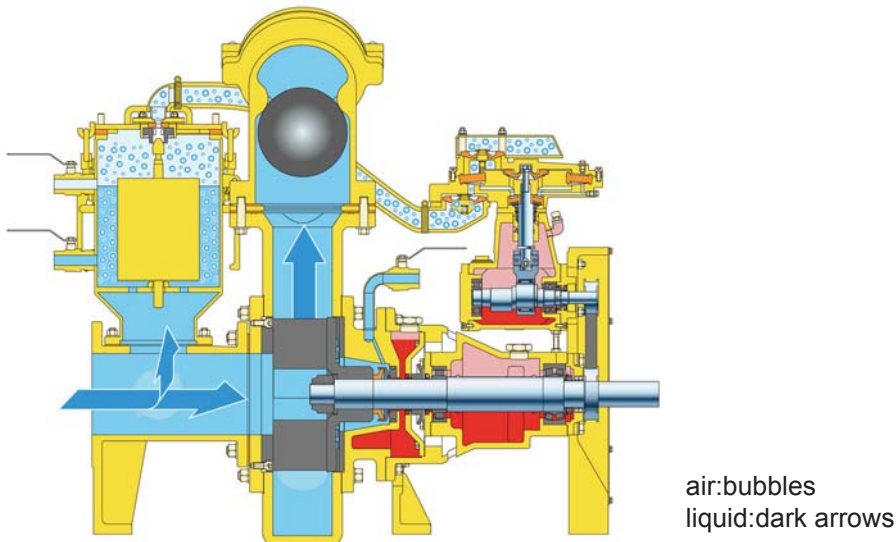
#### **WARNING**

**To prevent damage to the pump it is important that the pump does not run dry for more than five minutes.**

The designation 'self-priming centrifugal pump' indicates that the pump housing does not have to be filled before the pump is started, which is a big advantage.

The drawing below is an exploded-view of a BV dry-prime centrifugal pump. The arrows indicate the flow of the liquid and air through the pump housing.

## BV series pumps



### 1.3 Intended use

The BV series pumps are suitable for pumping heavily abrasive liquids containing large particles, such as sludge, bentonite and drilling emulsions.

- The BV series pump is suitable for pumping viscous liquids up to 50 mm<sup>2</sup>/s (cSt). For a higher value contact BBA Pumps.
- The maximum liquid temperature is 70 °C (158 °F), which depends in part on the materials used in the pump as well as the liquid, operating pressure and pump position.
- For more detailed information, see the pump specification sheet.

#### Note

It is not permitted to use the pump for pumping foodstuffs.

### 1.4 Unintended use

- It is not permitted to use the pump for pumping flammable and/or explosive substances.
- It is not permitted to deploy a standard pump or pump unit in an environment in which there is a danger of fire and/or explosion.
- It is not permitted to deploy a standard pump or pump unit in an ATEX environment.
- Use the pump only for those applications listed on the pump specification sheet.
- It is not permitted to use the pump for any application and/or field of activity other than that for which the pump was originally specified and installed without written permission from BBA Pumps.



**WARNING**

**BBA Pumps is not responsible for incorrect use and/or application of the pump.**

## 1.5 Warranty

See the BBA warranty book for the warranty conditions.

## 2 Gegevens

### 2.1 Specificatiebladen

Zie voor een gedetailleerd overzicht van gegevens, maten en gewichten het specificatieblad van de betreffende pomp.

### 2.2 Verklaring typecode

#### Algemene afkortingen BBA Pumps (BV serie)

##### Type

BV	BV pump series, self-priming centrifugal pump
BV... D...	D in combination with number indicates impeller diameter

##### Opbouw

...MC...	electrically driven
...NMC...	for electric-drive via push-on shaft
...BF...	basic frame
...TF...	tank frame
...GL...	sound attenuated

##### Drive

...PE...	Perkins
...HA...	HATZ

##### Control box

...LC...	level control
...ALC...	auto level control

**Curve number**

example

235FBFPELC

235 = curve number

F = narrow float chamber

BF = basic frame

PE = Perkins

LC = level control

**MSDS**

**Material Safety Data Sheet**

A data sheet containing all the properties of a particular substance

**NPSH**

**Net Positive Suction Head**

This is the suction height from which the pump can pump liquid after deduction of the losses within the pump.

## 2.3 Sound level

Because the pump, with or without the drive unit, is usually part of a complete installation, the final configuration is usually not known at the time of delivery.

The sound level also depends in part on the sound production of the other components in the installation.

BBA Pumps conducts random sound measurements on a complete installation. The measurements are taken at a distance of 1 metre (3,3 ft) and a height of 1.6 metres (5,2 ft).

The average of the measured values is less than 80 dB(A).

These measurements do not take the drive system or piping into consideration. It is assumed, however, that the pump is set up/installed in accordance with the instructions and is operating without cavitation.

The table below shows the applicable correction in dB(A) that should be used to calculate the sound level at a particular distance.

## BV series pumps

Correction in dB(A) as a function of the distance from the sound source

<b>Distance (metric)</b>	<b>Distance (imperial)</b>	<b>Correction</b>
<b>m</b>	<b>feet</b>	<b>dB(A)</b>
1	3,3	8,0
2	6,6	14,0
3	9,9	17,5
4	13,2	20,0
5	16,5	22,0
6	19,8	23,5
7	23,1	24,9
8	26,4	26,0
9	29,7	27,1
10	33	28,0
15	49,5	31,5
20	66	34,0
25	82,5	35,9
30	99	37,5
35	115,5	38,9
40	132	40,0
45	148,5	41,0
50	165	42,0
55	181,5	42,8
60	198	43,5
70	231	44,9
80	264	46,0
90	297	47,1
100	330	48,0
110	363	48,8
120	396	49,6
130	429	50,3
140	462	50,9
150	495	51,5
160	528	52,1
170	561	52,6



**LwA value +/-  
Correction = dB(A)**

Example:

Measured LwA value	90
Distance	7 m (23,1 ft)
Correction	24,9 dB(A)
Sound level	65,1 dB(A)

## 2.4 Applied directives and standards

The pumps from the BV series are affixed with the CE marking. This means that these pumps conform to the applicable European directives on health and safety. The applied directives are listed in the EC Declaration of Conformity.

The pumps from the BV series also conform to harmonised standard NEN-EN 809:1998 Pumps and pump units for liquids - Common safety requirements.

### 3 Warnings and safety instructions

#### 3.1 Warning and safety symbols

This manual contains warning and safety symbols. Do not ignore the instructions. They are provided for the benefit of your health and safety and to prevent damage to the environment and the pump or pump unit.



#### **DANGER**

When the danger symbol with the text **DANGER** is shown, it is accompanied by information that is of great importance for the safety of everyone concerned. Ignoring the information can result in injury (possibly severe) or even death.



#### **WARNING**

When the warning symbol with the text **WARNING** is shown, it is accompanied by information that is of great importance for everyone concerned with the pump or pump unit. Ignoring the information can result in injury or damage (possibly severe) to the pump or pump unit.

When the warning symbol with the text **WARNING** is shown, it is accompanied by information that is of great importance for everyone concerned with the pump or pump unit.

Ignoring the information can result in injury or damage (possibly severe) to the pump or pump unit.

#### 3.2 Safety instructions – general

The pump or pump unit conforms to the European Machinery Directive. However, this does not exclude the possibility of accidents if used incorrectly.

Use of the pump for an application and/or deployment of the pump in an environment other than defined at the time of purchase is strictly prohibited and can result in a hazardous situation. This is particularly true for corrosive, poisonous or other hazardous liquids.

The pump or pump unit may only be installed, operated and maintained by persons who are familiar with it and are aware of the dangers of working with it.

The installer, operator and maintenance personnel must comply with the local safety regulations.

The company management is responsible for ensuring that all work is performed by qualified personnel in a safe manner.

It is not permitted to make changes to the pump or pump unit without written permission from BBA Pumps.

If any changes are made to the pump without the written permission of BBA Pumps, BBA Pumps disclaims all liability.

Hearing protection must be worn if the sound emission level exceeds 85 dB(A).

It is not permitted to tow a pump unit fitted with wheels and a tow bar on public roads. These features are only intended for moving the pump unit within the site. The maximum speed is 25 km/h.

### 3.3 Safety instructions – pump

Do not exceed the limit values of the pump curves. See the specification sheet for the pump concerned.

Make sure that hot/cold and rotating parts of the pump are shielded adequately to prevent unintentional contact.

It is not permitted to start the pump if such guards are missing or damaged.

The company management must ensure that everyone who works with/on the pump or pump installation is aware of the type of liquid that is being pumped. These persons must know what measures are to be taken in the event of leakage.

Dispose of any liquids that have leaked, in a responsible manner. Observe local regulations.

If pumping liquids with a temperature of 70 °C (158 °F) or higher, the hot surfaces of the pump and piping must be shielded.

Apply 'hot surface' warning symbols.

If volatile and/or hazardous liquids are being pumped, the hazards of these substances must be taken into consideration when performing work on the pump or pump installation. Make use of personal protective equipment and provide sufficient ventilation.

Never allow a pump unit with a drive power in excess of 11 kW (14,7 Hp) to run with a blocked pressure line. The heat build-up could lead to an explosion.



#### **WARNING**

**It is not permitted to pump volatile or hazardous substances with BV series pumps. Contact BBA Pumps if you wish to pump such liquids.**

### 3.4 Emergency stop

The pump unit can be fitted with an emergency stop button.

The emergency stop button may be installed on the outside of the pump unit and/or on the switchbox.



- Press the emergency stop button in an emergency situation. The pump unit will stop immediately.
- After operation of the emergency stop button, the button is locked in the 'off' position.
- Only unlock the emergency stop button after the emergency situation has been resolved.

#### Note

Never unlock an emergency stop button that was depressed by someone else without first consulting the person in question.

#### Note

Never use the emergency stop button to switch off the pump unit during normal operation.



#### **DANGER**

**Exhaust gases contain carbon monoxide.**

**Carbon monoxide is a colourless, odourless and deadly gas which, when inhaled, prevents the body from absorbing oxygen, resulting in asphyxiation. Severe carbon monoxide poisoning can result in brain damage or death.**

### 3.5 Safety instructions – electrically driven pump unit

The electrical system must be in compliance with the regulations of the local electricity producer and the EN 60204-1 standard.

The electrical system to which the pump unit is connected must be equipped with a reliable safety circuit.

If the electrical system is deficient in any way, the pump unit may not be started.

### 3.6 Safety instructions – diesel engine driven pump unit

Never run the engine in an enclosed space.

Provide a proper gas-tight discharge for exhaust gases.

Provide sufficient ventilation.

Never fill the fuel tank while the engine is running.

Wear hearing protection while in the vicinity of a running engine.



#### **DANGER**

**Exhaust gases contain carbon monoxide.**

**Carbon monoxide is a colourless, odourless and deadly gas which, when inhaled, prevents the body from absorbing oxygen, resulting in asphyxiation. Severe carbon monoxide poisoning can result in brain damage or death.**

### 3.7 Safety instructions – during maintenance and repair

Work may only be performed on the pump or pump unit when the pump or pump unit has been put out of operation.

Follow the procedure described in this manual to put the pump or pump installation out of operation.

Make sure all pressure within the pump or pump unit has been relieved before beginning the work.

When opening the pump follow all the instructions for handling the pumped liquid, such as those concerning protective clothing, safety goggles, no smoking, etc.

Consult the Material Safety Data Sheet (MSDS) for the pumped liquid.

If the pump or pump unit is being used to pump a hazardous liquid, it must first be cleaned and neutralised.

## BV series pumps

Protect the drive motor against unintended and unauthorised activation throughout the duration of the work activities.

Maintenance work on the electrical system may only commence after the power supply has been disconnected and may only be performed by personnel who have been trained and authorised to do so.

In the interest of safety, only use parts purchased from or approved by the supplier.

Modifications to the pump or pump installation or the application are only permitted after consultation with the suppliers. The reliability of the pump or pump unit can only be guaranteed when the pump is used for the application and in the manner for which it is intended, as specified at the time of delivery.

When the work is complete, all the safety provisions and protective measures must be reinstalled and made operative.

Review the operating instructions before restarting the pump or pump unit.

### 3.8 Training and knowledge level of personnel

The company management must ensure that all the maintenance, inspection and installation work is performed by authorised and qualified personnel who possess the required level of knowledge concerning the BBA pump.

The responsibilities of the concerned personnel and the personnel responsible for their supervision must be explicitly defined by the company management. If the personnel have insufficient knowledge, the company management must arrange for suitable training, provided by the supplier or manufacturer of the pump.

The company management must also ensure that the content of this manual is clear to all employees who work with/on the pump.

### 3.9 Environmental protection

Pollution poses a serious threat to the environment. The following rules must be observed to prevent environmental pollution:

- Check the pump and the connected piping for leaks on a regular basis.
- If an external fuel tank is used, the connections and routing of the piping must be checked carefully. If the piping is connected incorrectly or is susceptible to damage (leakage), this can harm the environment.
- Do not dispose of any environmentally harmful substances in drains, sewers or on the ground. This is illegal and punishable.
- Keep environmentally harmful substances separate and submit them to a designated disposal facility for processing or destruction.
- Maintain the pump or pump unit in accordance with the instructions.

### 3.10 Designations on the pump or pump unit

Symbols are applied to the pump or pump installation as applicable to the specific version.  
Make sure these symbols are and remain legible.

# 4 Receiving, transport and storage

## 4.1 Receiving

Carefully check the pump or pump unit upon receipt for any damage that may have occurred during transport. Check whether the shipment matches the bill of lading.

Report any damage or incomplete shipment to the transporter straight away. The transporter must immediately note this on the shipping documentation.

## 4.2 Transport



### WARNING

**Only use certified lifting equipment with an adequate lifting capacity. Lifting work may only be performed by appropriately authorised personnel.**

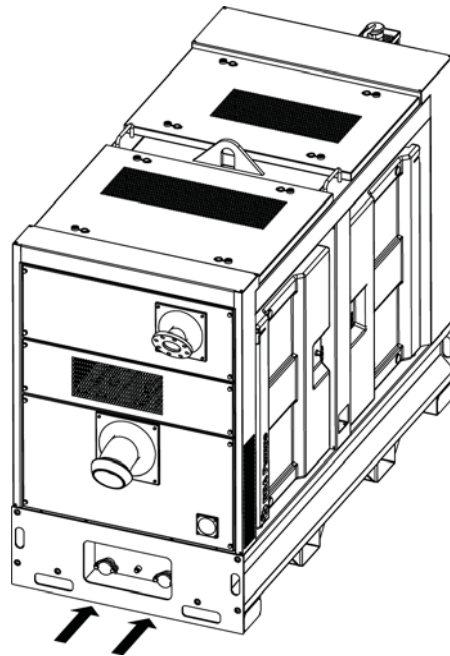
**Because many different versions of the pump or pump installation are available, only general instructions are provided. See the specification sheet for the particular pump or pump installation for the weight and dimensions.**

### Note

Contact BBA Pumps if you have any questions or concerns.

To prevent liquids from leaking and causing dangerous situations during transport of the pump or pump unit, the following precautionary measures must be taken:

- Disconnect the suction and pressure pipes from the pump.
- If an external fuel tank was used, the fuel lines from the external tank must be disconnected. Take necessary measures to capture any draining fuel.
- Drain any liquid that is present in the pump or pump unit.
- Flush the pump or pump unit.
- Drain the drip tray under the tank via the drain plugs.





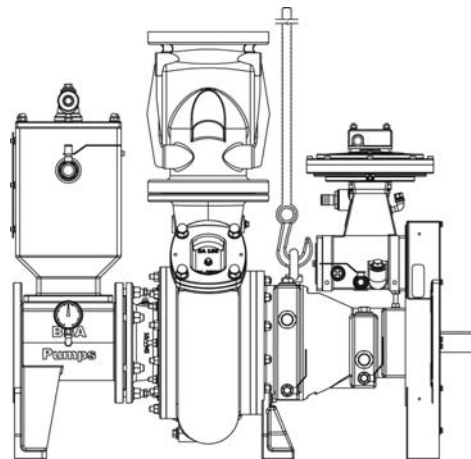
### 4.3 Lifting instructions for pump only



**DANGER**

It is prohibited for persons to be under a raised load.

- Always use a lifting yoke.
- Attach a lifting eye to the top of the bearing housing (see figure).
- Raise the pump carefully until it is just above the floor. Check whether the pump is hanging horizontally.



**WARNING**

Neither the lifting eye on the engine nor the lifting eye of the pump may be used for transport of the pump or pump unit.

## 4.4 Lifting instructions for pump unit

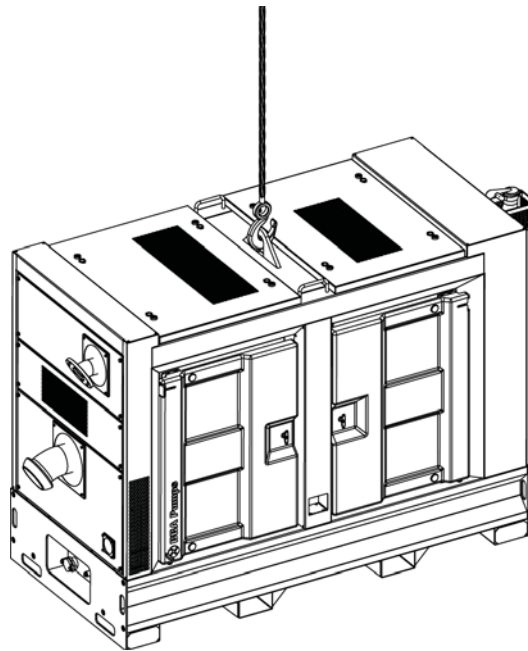


**DANGER**

Never walk under a raised load. This can result in a life-threatening situation.

### Pump unit in enclosure

There is a lifting eye located on the top of the enclosure.  
Only lift the unit from this lifting eye.



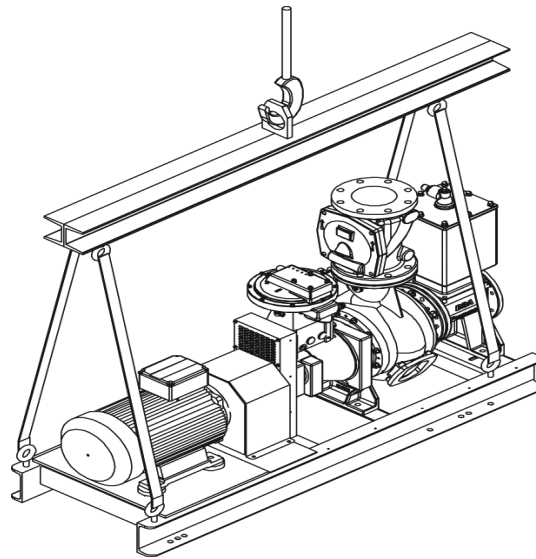
### Pump unit on frame

- Attach lifting eyes to the corners of the frame.
- Connect a lifting beam with lifting straps to the lifting eyes.
- Raise the pump carefully until it is just above the floor. Check whether the pump is hanging horizontally.



**WARNING**

Neither the lifting eye on the engine nor the lifting eye of the pump may be used for transport of the pump or pump unit.

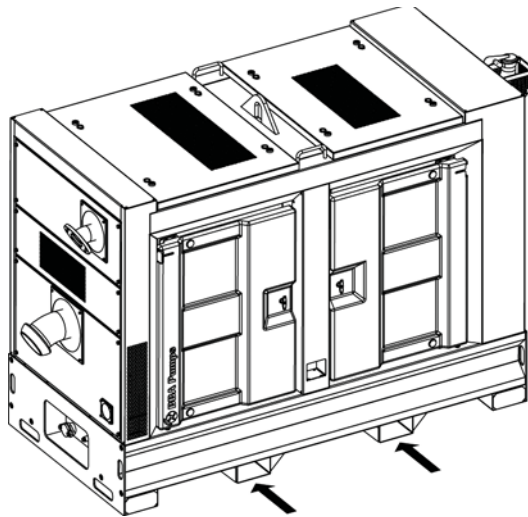


## BV series pumps

### 4.5 Moving the pump unit with a forklift

Forklift pockets (if present) can be used for moving the pump unit with a forklift.

The forks of the forklift must be inserted into these pockets to lift the pump unit.



It is not permitted to move the pump unit with a forklift if no forklift pockets are provided in the bottom of the frame.



#### **WARNING**

**Always disconnect all connections before moving the pump unit.**

### 4.6 Storage/preservation 6-12 months

When pumps are shipped they may be coated with a preservation agent. This remains effective for 6-12 months.

The pump must be stored in a covered, well-ventilated area. Temperatures below freezing and high humidity must be avoided.

#### **Note**

During storage, manually turn the driveshaft one complete revolution each week.



#### **WARNING**

**Depending on the type of enclosure, the pump units may be stackable. Always contact BBA Pumps to determine whether the pump unit in question is stackable. Never stack pump units more than two high.**

## 4.7 Storage longer than 6-12 months

For storage longer than 6-12 months, take the following measures:

1. Apply a layer of preservation agent to all unpainted parts and rotating parts.
2. Seal the suction flange liquid-tight.
3. Seal the connection for flushing, circulation or cooling (if present).

### Note

The type of preservation agent to be used depends on the materials and the application. Consult BBA Pumps for the correct preservation agent.

4. Fill the pump with preservation agent.
5. Slowly rotate the driveshaft one revolution by hand.
6. Seal the pressure flange liquid-tight.



### WARNING

Depending on the type of enclosure, the pump units may be stackable. Always contact BBA Pumps to determine whether the pump unit in question is stackable. Never stack pump units more than two high.

## 4.8 Inspection during storage

1. Make sure the pump units are not stacked more than two high (if applicable).
2. Check the level of the preservation agent once every three months. Add additional preservation agent if necessary.
3. Slowly rotate the driveshaft one revolution by hand.

## 4.9 Transport of pump with preservation agent

Prior to transport, check the pump for leakage of preservation agent.



### WARNING

Leakage of preservation agent can cause the floor to become dangerously slippery and may lead to preservation agent entering the environment.

### 4.10 Removal of preservation agent

Mineral-based lubrication oil is used as the preservation agent.

Drain the preservation agent before putting the machine in operation.

If the preservation agent is detrimental to the pumped liquid, flush the pump thoroughly.

1. Drain the preservation agent. Capture the liquid. See chapter 10.
2. Flush the pump thoroughly. Capture the liquid.
3. Fit the cleaning cover and the drain plugs.
4. Dispose of the preservation agent and flushing liquid in a responsible manner.

#### **Note**

If preservation agent is to be applied again, do not reuse the old preservation agent.

## 5 Pump unit installation

### 5.1 Placement – general

**Note**

Instructions for connecting the drive system to a separate pump are provided in the installation instructions.



**WARNING**

**Failure to follow the guidelines for the placement and installation of the pump unit can result in danger to the user and/or severe damage to the pump or pump unit.**

BBA Pumps is not responsible for accidents and damage that result from failure to follow the guidelines in this manual. Such use results in forfeiture of the right to assert any warranty or damage compensation claims.

**Note**

Because many different versions of the pump unit are available, only general instructions are provided. See the specification sheet for the particular pump unit for technical data. Contact BBA Pumps if you have any questions or concerns.

- Place the pump unit on a flat surface capable of supporting the load.



## BV series pumps

- Make sure the pump unit is placed in such a manner that it is not subjected to any distorting forces.
- Make sure there is sufficient space around the pump unit for operation and maintenance activities.



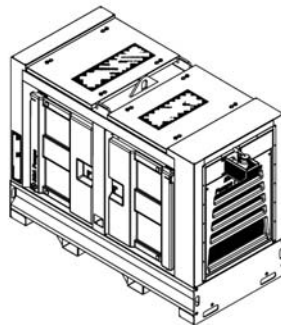
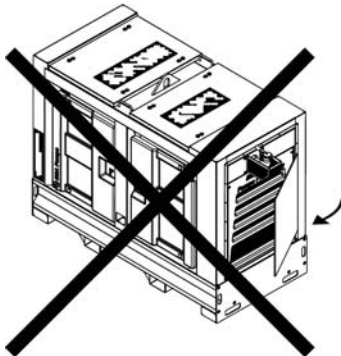
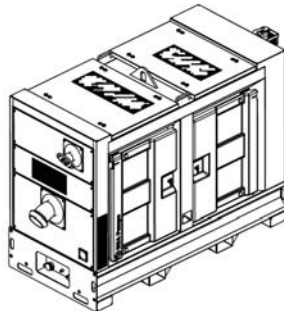
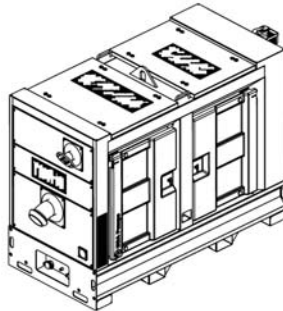
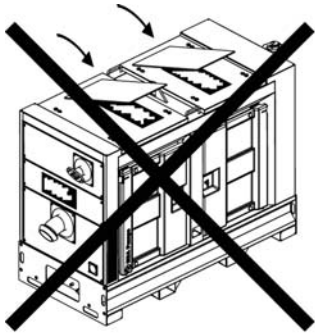
### WARNING

Make sure the top of the pump unit is not covered. This is important because the diesel engine driven pump unit draws in fresh air from the top.



### WARNING

Make sure the front and sides of the pump unit are not covered. This is important because the diesel engine driven pump unit expels heat on these sides. See figures.





- Install shields to prevent contact with hot surfaces (> 70 °C) (158° F). Affix warning symbols where necessary.
- If the pump and motor are provided separately, check the alignment after installation.
- When pumping hot liquids make sure there is sufficient air circulation to prevent bearings and lubricants from overheating.
- Connect an electrically driven pump unit in conformance with local regulations. The cables must be dimensioned in accordance with the specifications.
- For placement of an electrically driven pump unit, see also chapter 'Pump unit with electric drive'.
- For placement of a diesel driven pump unit, see also chapter 'Pump unit with diesel drive'.
- Install the prescribed safeguard(s) in the correct manner.  
The pump unit can be fitted with safeguards for the following parameters:
  - temperature
  - overpressure
  - under pressure
  - direction of rotation
  - oil level
  - overload

## 5.2 Outdoor use

The pump or pump unit may only be placed outdoors if the construction of the pump or pump unit allows this.

In addition to the general instructions, the following additional requirements must be met:

- The pump unit must be designed for outdoor use. Pay attention to the protection class of the pump unit.
- Make sure there is sufficient free space around the cooling air inlet so the engine is able to draw as much cooling air as it needs.
- Make sure there is sufficient free space around the hot air outlet. Maintain at least two metres (6,6 ft) of clearance.
- Avoid dusty conditions and locations where corrosion or erosion can occur.
- In the case of electric drive: do not exceed the ratings of the electric motor in terms of insulation class and protection class.
- In the case of an electric motor not supplied by BBA Pumps, follow the guidelines provided with the motor.

### 5.3 Indoor use

In addition to the general instructions, the following additional requirements must be met:

- Make sure the area has adequate ventilation.
- Make sure there is sufficient free space around the cooling air inlet so the motor is able to draw as much cooling air as it needs.
- Prevent high ambient temperature and humidity.
- Avoid dusty conditions and locations where corrosion or erosion can occur.
- In the case of electric drive: do not exceed the ratings of the electric motor in terms of insulation class and protection class.
- In the case of an electric motor not supplied by BBA Pumps, follow the guidelines provided with the motor.

### 5.4 Placement in an area with a potentially flammable or explosive atmosphere

The standard pump unit is not suitable for placement in a potentially flammable or explosive atmosphere. In some cases, after consultation with BBA Pumps and implementation of the prescribed measures, written approval may be provided by BBA Pumps for use of the pump or pump unit in the specified situation.



#### **DANGER**

**Failure to follow the guidelines for use of the pump unit in a potentially flammable or explosive atmosphere can create an extremely dangerous situation.**

### 5.5 Piping guidelines – general

The piping must comply with the following guidelines:

- Select the diameter and length of the suction and pressure pipes as well as those of any additional components such that the inlet pressure remains above the minimum allowable value. The operating pressure must not exceed the maximum allowable value.  
The power rating of the installed drive system must be sufficient. NPSH graphs are available on request.
- The diameters of the pipes must be equal to or greater than the connection sizes on the pump.
- See the specification sheet for the particular pump or pump installation to obtain the prescribed pipe diameters.
- If possible, the transition between various pipe diameters must be made with a transition angle of approx. 8 degrees.
- The pipe must be properly aligned with the pump connection.
- It must be possible to connect the flanges of the pipes and pump together without putting any of the parts under stress.
- In the case of vibration and/or hot liquids, install expansion elements in the pipes.
- Support the pipes directly in front of the pump. The weight of the pipes and fittings may not be supported by the pump.

- Install shut-off valves in the suction and pressure pipes as close as possible to the connection flanges in order to allow isolation of the pump for maintenance and repair work. The shut-off valves must be of a type that allows straight-line flow, such as gate or globe valves. The internal diameter of the shut-off valve must be the same as that of the pipe.
- If there is a possibility that a backflow of liquid could cause the pump to turn in the opposite direction when stopped, a non-return valve must be placed in the piping to prevent this.
- Install measurement instruments in the piping for monitoring during operation.
- If applicable, connect the pump unit to a suitable safety system. This is left to the judgement of the designer of the installation.
- Insulate or shield hot pipes.
- Observe specific regulations that pertain to the suction and pressure pipes.
- Thoroughly clean all parts that come into contact with the transported liquid before putting the pump unit in operation.

### Note

When pumping viscous liquids, there can be significant pressure losses in the suction and pressure pipes. Components placed in the piping system, such as shut-off valves, bends, suction strainers, filters and foot valves, will make the pressure losses greater.



#### **WARNING**

**The designer of the installation that includes the pump unit is responsible for installing the pump unit correctly.**

**Failure to follow the guidelines can result in an excessive load on the pump unit and/or piping, which can cause severe damage to the pump unit and/or piping.**

**Possible leakage of liquid can lead to a dangerous situation.**



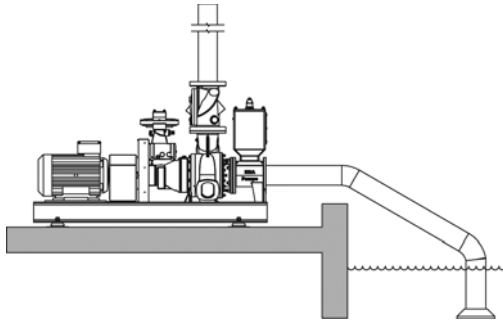
#### **WARNING**

**The designer of the installation that includes the pump unit is responsible for taking the necessary measures to prevent an internal explosion and, in the event an internal explosion nevertheless occurs, to stop it and limit the consequences.**

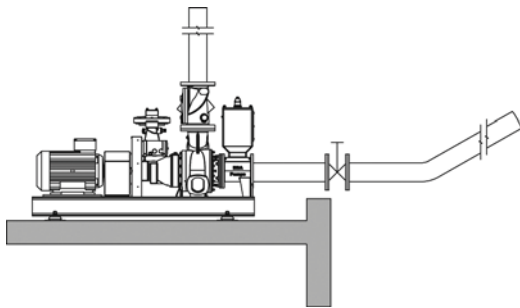
### 5.6 Suction pipe

The suction pipe must meet the following requirements:

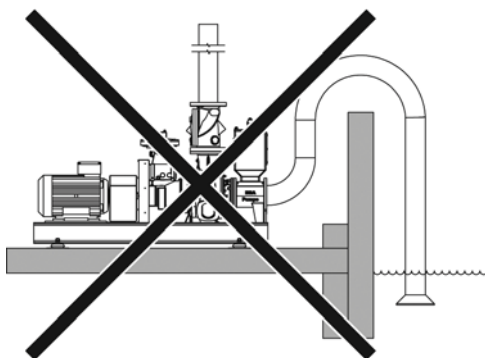
- Place the pump or pump unit as close as possible to the pumped liquid.
- The pipe must be as short as possible.
- Run the pipe so it slopes upwards toward the pump to prevent the formation of air pockets.

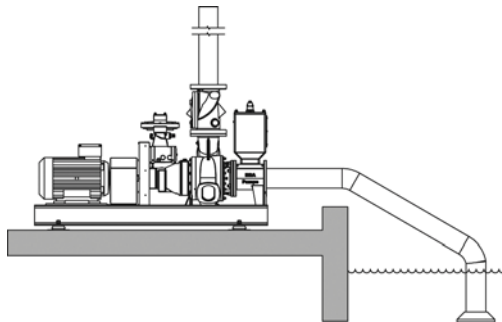


- If the pipe tapers, the pipe must slope downwards toward the pump.

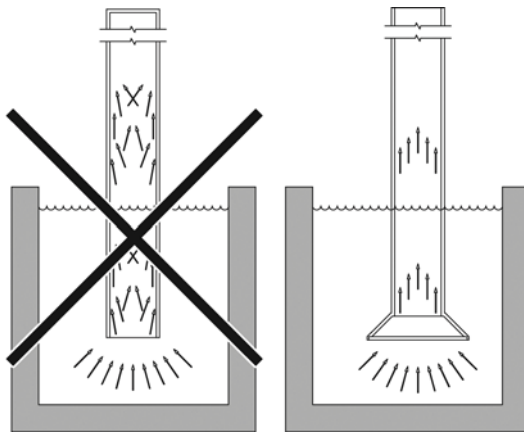


- Lay the pipe so as to prevent the formation of air pockets.



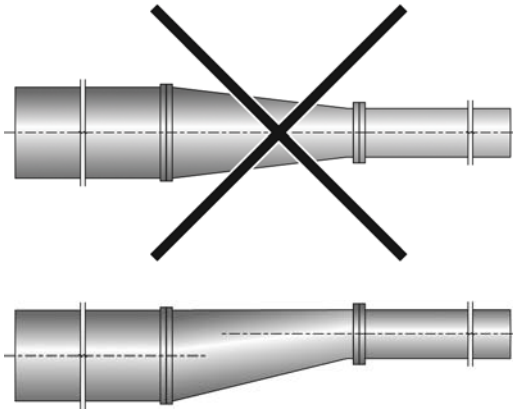


- Use the least possible number of bends.
- Bends must have the largest possible radius.
- The pipe system must be completely airtight.
- In the case of a non-self-priming pump, in which the liquid does not flow towards the pump, install a foot valve with a sufficiently large flow capacity.
- In the case of polluted liquids, always install a suction strainer or solids separation screen with a sufficiently large net opening area. The filtration particle size of the suction strainer must be equal to or less than the solids handling specification of the pump.

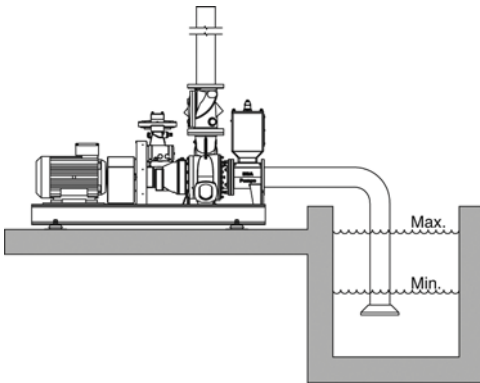


## BV series pumps

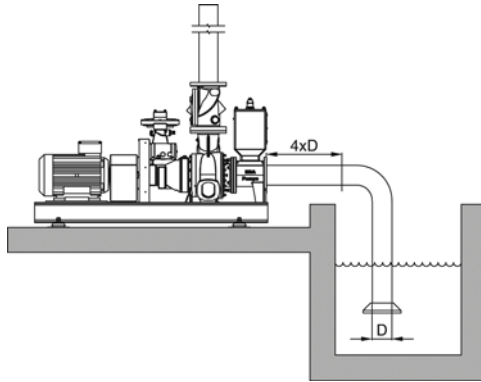
- When there is a change of diameter in the piping, use an eccentric reducer to prevent the accumulation of air.



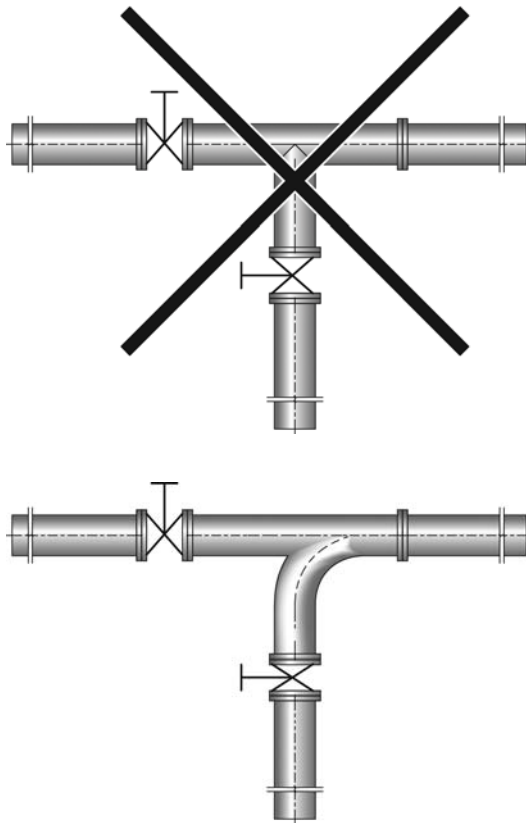
Make sure that the liquid intake will remain sufficiently submerged beneath the liquid surface so no air will be drawn in even when the liquid is at its lowest level.



- Make sure the length of the pipe between a bend and the pump is at least four times the diameter of the pipe, especially when there is little margin between the available and required NPSH. A bend prevents the smooth inflow of liquid to the pump impeller and can have a negative impact on the suction conditions.



- When a T-junction is installed, use one with an inflow bend.



**Note**

In the case of self-priming pumps fitted with a separate suction bend, this bend must never be removed or rotated.

## BV series pumps

- For liquids with a low viscosity, either install a foot valve with a diameter equal to or greater than that of the suction valve or install the piping without a foot valve in a U-configuration (see technical specifications BV series).
- Do not install a foot valve when pumping high viscosity liquids. The foot valve causes extra pipe losses.
- To eliminate any air or gases present in the pump or suction pipe, the pressure pipe can be fitted with a bypass line.  
The use of a bypass line will eliminate air from the pump more quickly. See also 'Pressure pipe'.
- In some situations the temperature of the liquid may be so high that the pump requires pre-pressure relative to the NPSH in the line (see technical specifications BV series).



### **WARNING**

**In all cases in which pre-pressure is desired you must contact BBA Pumps for advice. Pre-pressure may not be employed without written permission from BBA Pumps.**



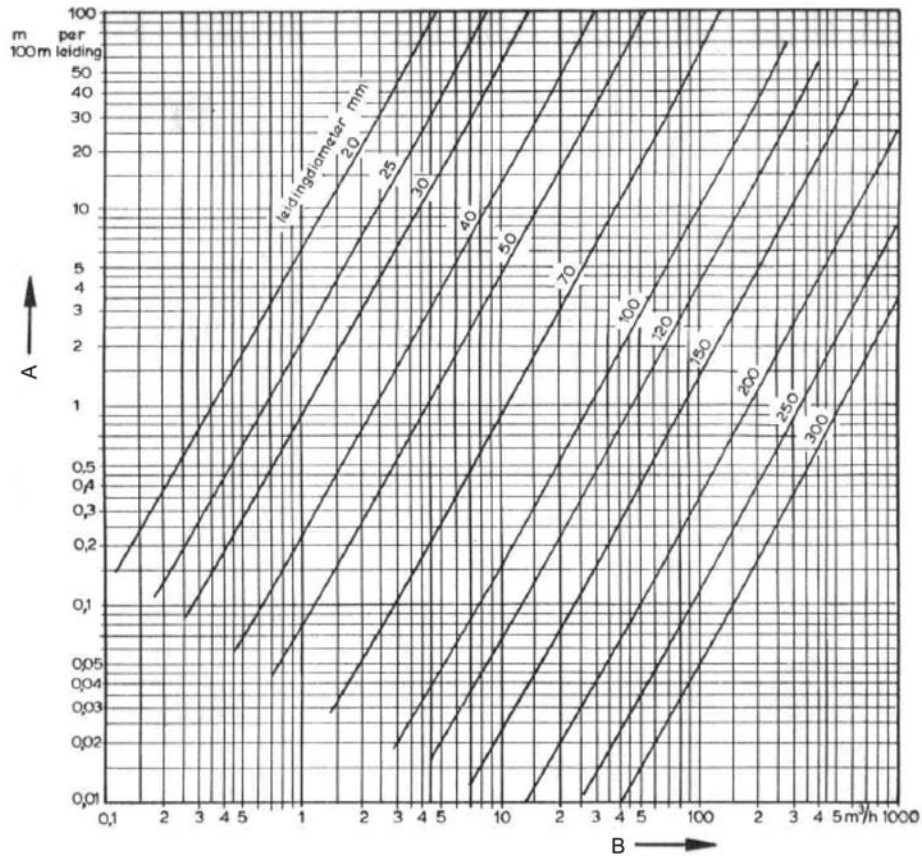
### **WARNING**

**Piping with an inadequate diameter, an excessively long suction pipe or a clogged suction strainer can cause the pipe losses to increase to the point that the available NPSH (NPSHa) falls below the required NPSH (NPSHr). This results in cavitation of the pump. This is damaging to the pump and has a negative impact on the operation of the pump unit.**



- Piping causes a resistance. This is referred to as 'piping resistance'. This is shown in the table below.

Nomogram for the calculation of the piping resistances, valid for liquids with a viscosity of 1 cSt (e.g. water).



A: Piping resistance  
 B: Volume flow

- The fittings that are used also have resistance. The table below shows the resistance of the fittings converted to the equivalent length of straight pipe (smooth steel pipe).

## BV series pumps

Internal pipe diameter	Resistance in:					
	Bends		Tee	Shut-offs		Non-return valve
	90°	45°		Gate	Globe	
mm	m	m	m	m	m	m
20	0.6	0.3	1.5	0.15	7.5	2.0
25	0.7	0.4	1.8	0.2	8.7	2.2
30	0.8	0.45	2.1	0.25	10.0	2.7
40	1.0	0.6	2.7	0.3	13.5	3.4
50	1.2	0.75	3.4	0.35	17.0	4.3
70	2.0	1.0	4.7	0.5	24.0	6.0
100	2.5	1.5	6.7	0.7	34.0	8.5
120	3.0	1.8	8.0	0.85	41.0	10.0
150	3.7	2.25	10.0	1.1	51.0	12.7
200	5.0	3.0	13.5	1.4	68.0	17.0
250	6.2	3.75	16.5	1.75	85.0	21.2
300	7.5	4.5	20.0	2.1	99.5	25.5

Internal pipe diameter	Resistance in:					
	Bends		Tee	Shut-offs		Non-return valve
	90°	45°		Gate	Globe	
inch	ft	ft	ft	ft	ft	ft
0.787	1.97	0.98	4.92	0.49	24.6	6.6
0.984	2.30	1.31	5.91	0.66	28.5	7.2
1.18	2.62	1.48	6.89	0.82	32.8	8.9
1.57	3.28	1.97	8.86	0.98	44.3	11.2
1.97	3.94	2.46	11.2	1.15	55.8	14.1
2.75	6.56	3.28	15.4	1.64	78.7	19.7
3.94	8.20	4.92	22.0	2.30	112	27.9
4.72	9.84	5.91	26.2	2.79	135	32.8
5.90	12.1	7.38	32.8	3.61	167	41.7
7.87	16.4	9.84	44.3	4.59	223	55.8
9.84	20.3	12.3	54.1	5.74	279	69.6
11.8	24.6	14.8	65.6	6.89	326	83.7

- See the specification sheet for the particular pump or pump installation for the prescribed pipe diameters.
- The pipe diameter must be equal to or greater than the prescribed dimension. See the following table:

Recommended diameter of the suction pipe

Maximum flow rate in suction pipe= 4 m/s (13,28 ft/s)

m/h	US gallons	FLOW (L/sec)	2" 50	3" 75	4" 100	5" 125	6" 150	8" 200	10" 250	12" 300	14" 350	16" 400	18" 450	20" 500
7.2	31.7	2	1.02	0.45	0.25	0.16	0.11	0.06	0.04	0.03	0.02	0.02	0.01	0.01
14.4	63.4	4	2.04	0.91	0.51	0.33	0.23	0.13	0.08	0.06	0.04	0.03	0.03	0.02
21.6	95.1	6	3.06	1.36	0.76	0.49	0.34	0.19	0.12	0.08	0.06	0.05	0.04	0.03
28.8	126.8	8	4.07	1.81	1.02	0.65	0.45	0.25	0.16	0.11	0.08	0.06	0.05	0.04
36	158.5	10	5.09	2.26	1.27	0.81	0.57	0.32	0.20	0.14	0.10	0.08	0.06	0.05
43.2	190.2	12	6.11	2.72	1.53	0.98	0.68	0.38	0.24	0.17	0.12	0.10	0.08	0.06
50.4	221.9	14	7.13	3.17	1.78	1.14	0.79	0.45	0.29	0.20	0.15	0.11	0.09	0.07
57.6	253.6	16	8.15	3.62	2.04	1.30	0.91	0.51	0.33	0.23	0.17	0.13	0.10	0.08
64.8	285.3	18	9.17	4.07	2.29	1.47	1.02	0.57	0.37	0.25	0.19	0.14	0.11	0.09
72	317	20	10.19	4.53	2.55	1.63	1.13	0.64	0.41	0.28	0.21	0.16	0.13	0.10
90	396.3	25	12.73	5.66	3.18	2.04	1.41	0.80	0.51	0.35	0.26	0.20	0.16	0.13
108	475.5	30	15.28	6.79	3.82	2.44	1.70	0.95	0.61	0.42	0.31	0.24	0.19	0.15
144	634	40	20.37	9.05	5.09	3.26	2.26	1.27	0.81	0.57	0.42	0.32	0.25	0.20
180	792.5	50	25.46	11.32	6.37	4.07	2.83	1.59	1.02	0.71	0.52	0.40	0.31	0.25
216	951	60	30.56	13.58	7.64	4.89	3.40	1.91	1.22	0.85	0.62	0.48	0.38	0.31
252	1109.5	70	35.65	15.84	8.91	5.70	3.96	2.23	1.43	0.99	0.73	0.56	0.44	0.36
288	1268	80	40.74	18.11	10.19	6.52	4.53	2.55	1.63	1.13	0.83	0.64	0.50	0.41
324	1426.5	90	45.84	20.37	11.46	7.33	5.09	2.86	1.83	1.27	0.94	0.72	0.57	0.46
360	1585	100	50.93	22.64	12.73	8.15	5.66	3.18	2.04	1.41	1.04	0.80	0.63	0.51
403.2	1775.2	112	57.04	25.35	14.26	9.13	6.34	3.57	2.28	1.58	1.16	0.89	0.70	0.57
432	1902	120	61.12	27.16	15.28	9.78	6.79	3.82	2.44	1.70	1.25	0.95	0.75	0.61
468	2060.5	130	66.21	29.34	16.55	10.59	7.36	4.14	2.65	1.84	1.35	1.03	0.82	0.66
504	2219	140	71.30	31.69	17.83	11.41	7.92	4.46	2.85	1.98	1.46	1.11	0.88	0.71
540	2337.6	150	76.39	33.95	19.10	12.22	8.49	4.77	3.06	2.12	1.56	1.19	0.94	0.76
576	2536	160	81.49	36.22	20.37	13.04	9.05	5.09	3.26	2.26	1.66	1.27	1.01	0.81
612	2694.6	170	86.58	38.48	21.65	13.85	9.62	5.41	3.46	2.41	1.77	1.35	1.07	0.87
648	2853.1	180	91.67	40.74	22.92	14.67	10.19	5.73	3.67	2.55	1.87	1.43	1.13	0.92
684	3011.6	190	96.77	43.01	24.19	15.48	10.75	6.05	3.87	2.69	1.97	1.51	1.19	0.97
720	3170.1	200	101.86	45.27	25.46	16.30	11.32	6.37	4.07	2.83	2.08	1.59	1.26	1.02
756	3328.6	210	106.95	47.53	26.74	17.11	11.88	6.68	4.28	2.97	2.18	1.67	1.32	1.07
792	3487.1	220	112.05	49.80	28.01	17.93	12.45	7.00	4.48	3.11	2.29	1.75	1.38	1.12
828	3645.6	230	117.14	52.06	29.28	18.47	13.02	7.32	4.69	3.25	2.39	1.83	1.45	1.17
864	3804.1	240	122.23	54.32	30.56	19.56	13.58	7.64	4.89	3.40	2.49	1.91	1.51	1.22
900	3962.6	250	127.32	56.59	31.83	20.37	14.15	7.96	5.09	3.54	2.60	1.99	1.57	1.27
936	4121.1	260	132.42	58.85	33.10	21.19	14.71	8.28	5.30	3.68	2.70	2.07	1.63	1.32
972	4279.6	270	137.51	61.12	34.38	22.00	15.28	8.59	5.50	3.82	2.81	2.15	1.70	1.38
1008	4438.1	280	142.60	63.38	35.65	22.82	15.84	8.91	5.70	3.96	2.91	2.23	1.76	1.43
1044	4596.6	290	147.70	65.64	36.92	23.63	16.41	9.23	5.91	4.10	3.01	2.31	1.82	1.48
1080	4755.1	300	152.79	67.91	38.20	24.45	16.98	9.55	6.11	4.24	3.12	2.39	1.89	1.53
1116	4913.6	310	157.88	70.17	39.47	25.26	17.54	9.87	6.32	4.39	3.22	2.47	1.95	1.58
1152	5072.1	320	162.97	72.43	40.74	26.08	18.11	10.19	6.52	4.53	3.33	2.55	2.01	1.63
1188	5230.6	330	168.07	74.70	42.02	26.89	18.67	10.50	6.72	4.67	3.43	2.63	2.07	1.68
1224	5389.1	340	173.16	76.96	43.29	27.71	19.24	10.82	6.93	4.81	3.53	2.71	2.14	1.73
1260	5547.6	350	178.25	79.22	44.56	28.52	19.81	11.14	7.13	4.95	3.64	2.79	2.20	1.78
1296	5706.1	360	183.35	81.49	45.84	29.34	20.37	11.46	7.33	5.09	3.74	2.86	2.26	1.83
1332	5864.6	370	188.44	83.75	47.11	30.15	20.94	11.78	7.54	5.23	3.85	2.94	2.33	1.88
1368	6023.1	380	193.53	86.01	48.38	30.97	21.50	12.10	7.74	5.38	3.95	3.02	2.39	1.94
1404	6181.6	390	198.63	88.28	49.66	31.78	22.07	12.41	7.95	5.52	4.05	3.10	2.45	1.99
1440	6340.1	400	203.72	90.54	50.93	32.59	22.64	12.73	8.15	5.66	4.16	3.18	2.52	2.04
1476	6498.6	410	208.81	92.81	52.20	33.41	23.20	13.05	8.35	5.80	4.26	3.26	2.58	2.09
1512	6657.1	420	213.90	95.07	53.48	34.22	23.77	13.37	8.56	5.94	4.37	3.34	2.64	2.14

### 5.7 Pressure pipe

- The designer of the installation is responsible for including the required safeguards, such as protection against overpressure.
- To prevent pipe losses, use the fewest number of bends possible.
- When the pressure pipe is long or when a non-return valve is used in the pressure pipe directly after the pump, install a bypass line, fitted with a shut-off valve. Connect the bypass line to the suction line or suction point.
- To bleed air from the pump more quickly, the bypass line must be connected to the supply tank or suction point.



#### **WARNING**

**Prevent sudden closure of the pressure pipe that would cause water hammer.**

- If there is a danger of water hammer, install a bypass, accumulator or pressure safety valve in the pressure pipe.

### 5.8 Suction strainer

When pumping polluted liquid or liquid that may contain solid particles, install a suction strainer in the suction opening.

- When selecting the suction strainer, carefully consider the mesh width so pipe losses are kept to a minimum. The net opening area of the suction strainer must be at least three times the cross-sectional area of the suction pipe.
- In the case of polluted liquids, always install a suction strainer with a sufficiently large net opening area. The filtration particle size of the suction strainer must be equal to or less than the solids handling specification of the pump.
- Install the suction strainer such that maintenance and cleaning are possible.
- Make sure the liquid being drawn in has the expected viscosity and can easily flow through the suction strainer. Heat the suction strainer if necessary.
- Consult the technical specifications for the BV series for the maximum allowable particle size (solids handling capacity).

## 6 Pump – general

### 6.1 Preparation for starting the pump or pump unit

If the pump is equipped with a vacuum pump, the pump does not have to be filled with the pumped liquid.

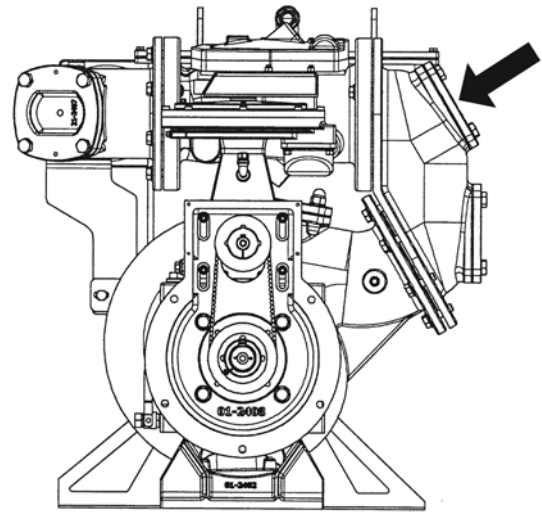
If there is no vacuum pump present, the pump must be completely filled with the pumped liquid.

1. Make sure that a non-return valve is installed in the suction pipe.
2. Open the cover on the top of the pump.
3. Completely fill the pump with the pumped liquid.
4. Close the cover.

**Note**

Filling the pump simultaneously purges the air from the pump.

On a BV dry-prime pump, there must be as little back pressure in the pressure pipe as possible while purging air from the suction pipe ('priming') and until the pump begins to pump liquid. This allows the air in the pump unit to be purged more quickly.

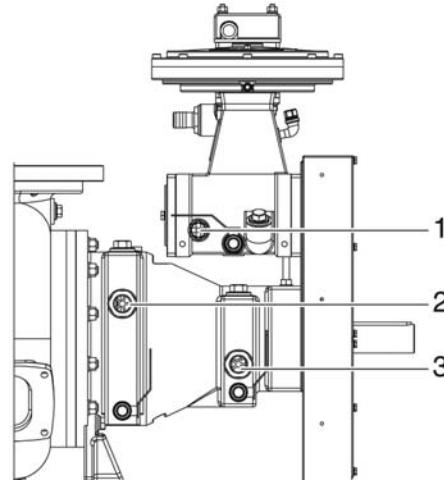


### 6.2 Preparations for starting

#### Note

In the case of a separate pump, it must first be connected to the system in accordance with the instructions from BBA Pumps. For instructions, contact BBA Pumps.

1. Check the oil levels of the vacuum pump bearings (1), pump seal (2) and pump bearings (3) (see chapter 'Maintenance').
2. If applicable, the pump is now pre-heated to an adequate temperature (whether it is necessary to pre-heat the pump depends on the pumped liquid and the ambient conditions).
3. When barrier fluid is used, check: whether barrier fluid is present, has the correct pressure and can circulate freely. For more information, see the technical manual for the API Plan 54.
4. Completely open the suction and pressure shut-off valves.
5. In the case of a bypass line, open the shut-off valve in the bypass line.
6. If present: check whether the non-return valve is closed.
7. Check whether the direction of rotation of the pump matches that of the motor/engine.



### 6.3 Starting

The pump must be at a standstill before starting.



#### WARNING

**A backflow of liquid must not be permitted to cause the pump to turn in the opposite direction when stopped. Such a situation can damage the mechanical shaft seals that are designed to work in one direction of rotation only.**

**If this situation can occur, a non-return or shut-off valve must be installed in the piping to prevent it.**

1. Start the pump motor/engine.

#### Note

When cold-starting a diesel engine driven pump, it must initially be run at low speed. Once the diesel engine is at operating temperature, the speed can be increased to the desired rpm. This ensures that the pipes will be filled gradually and smoothly.

2. In the case of a bypass line, close the shut-off valve in the bypass line once the pump has built up pressure.
3. If the pump or pump unit is used for pumping bentonite, for example, it is also necessary to check whether the supply and return for the flush connections and barrier fluid are open.
4. Check the suction of the liquid (vacuum).



**WARNING**

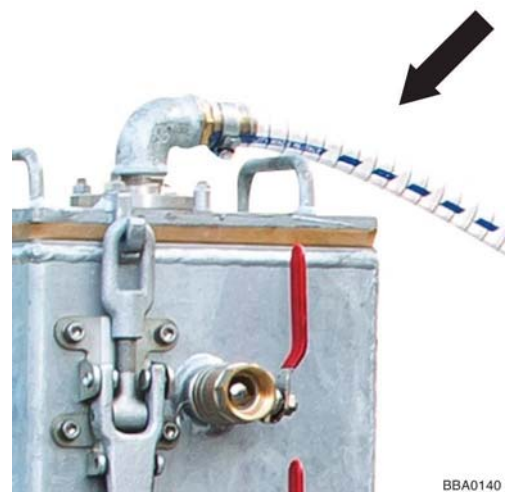
**If vibration occurs during starting, stop the pump immediately and eliminate the cause before starting again.**

5. Check the speed of the pump.
6. Make sure the vacuum pump is not drawing in liquid via the transparent hose connected to the float chamber.

**Note**

If the vacuum pump is drawing in liquid, stop the pump immediately. Open the cover of the float chamber. Clean and check the float seat. If there is no other alternative, the valve seat may be temporarily reversed.

7. Check the pressure pipe and the shaft seal for leaks.
8. Check the pump for proper operation.



BBA0140



**DANGER**

**Never allow the pump to run long while the pressure shut-off valve is closed. Pumps driven by a motor/engine with a power in excess of 11 kW (14,7 Hp) may never be run with a closed pressure shut-off valve. Otherwise there is a danger of explosion. Heating of the liquid beyond design limits can cause damage to the pump.**

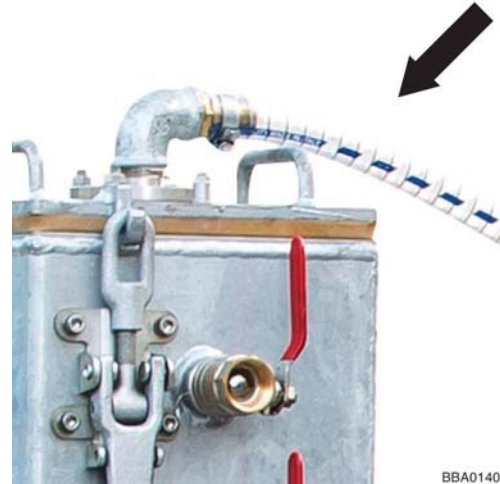
### 6.4 Monitoring during operation

1. During operation check the pump regularly for correct functioning, smooth and vibration-free running, suction of liquid through the vacuum pump, and abnormal noises and leaks.

#### Note

If the vacuum pump is drawing in liquid, stop the pump immediately. Open the cover of the float chamber. Clean and check the float seat. If there is no other alternative, the valve seat may be temporarily reversed.

2. Prevent situations in which pump runs dry for more than five minutes.
3. Under optimum conditions, mechanical shaft seals permit very little or barely visible (vaporous) leakage to pass.
4. The maximum permissible ambient temperature is 40 °C (104 °F).  
The temperature of the bearings may not exceed 85 °C (185 °F).



#### Note

Use for higher temperatures is only permitted after consultation with the supplier.



#### WARNING

**In the event of a malfunction or incorrect functioning, stop the pump. Determine and correct the cause before restarting the pump.**

### 6.5 Stopping

1. For a diesel driven unit, reduce the engine speed gradually to an idle. Allow the engine to run at idle for approximately two minutes.



#### WARNING

**Shutting down a diesel engine while under full load can cause severe damage.**

2. Switch off the drive motor. Observe whether the pump unit comes to a gradual, smooth stop.
3. If a barrier fluid or flushing liquid is being used, close the shut-off valves in the concerned lines.
4. When it is necessary to prevent the liquid from congealing or solidifying, drain the pump and the vacuum pump while the medium is still in liquid form (see chapter 10).





**WARNING**

Use the necessary personal protective equipment in the case of hot, volatile, flammable and hazardous liquids.



**WARNING**

Make sure that all the drained liquid is contained in a proper manner and disposed of in accordance with local regulations.

5. Close the pressure shut-off valve.

**Note**

If a non-return valve is present and sufficient back pressure remains in the pressure pipe, it is acceptable to leave the pressure shut-off valve open.

6. Close the suction shut-off valve.



**WARNING**

If there is a danger of freezing, completely drain the pump and vacuum pump (if present).  
Drain the liquid from the drip tray, if present.

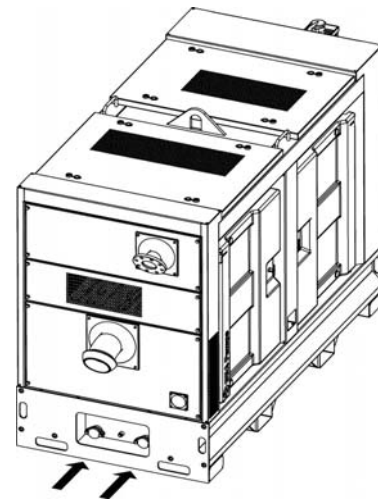
**Note**

For a longer period of disuse, the pump and vacuum pump must be completely drained and preserved (see chapter 5).

## 6.6 Draining the pump when there is a danger of freezing

If there is a danger of freezing, a pump used to pump a liquid that may freeze must be drained (while at a standstill).

1. Drain the pump (see 'Maintenance').
2. Drain the drip tray of the pump unit via the drain plugs (see the illustration).
3. Close the drain plugs of the drip tray.



# 7 Pump unit with electric drive

## 7.1 Safety instructions

Before connecting an electric motor to the mains, consult the applicable local regulations of the power supplier and the EN 60204-1 standard.

The electrical system must be equipped with protective measures to ensure that the user can work with the installation safely at all times.

Before the electric pump is started, the pump must be filled with liquid. Dry running of the pump must be prevented at all times!

Work may only be performed on the installation when it is completely disconnected from electrical power. The installation must be protected against inadvertent starting.



### **WARNING**

**It is the employer's responsibility to ensure that the pump or pump unit safety measures (such as protection against excessive current draw) and the resulting actions (such as shut-down of the pump) are included in the safety circuit.**

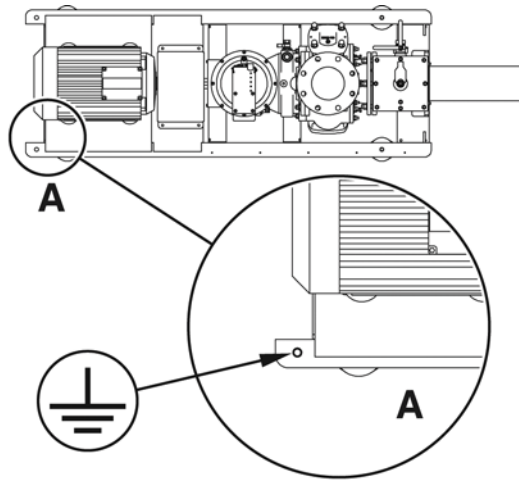


### **DANGER**

**Electrical devices, connection terminals and parts of the control system can be at mains voltage even during standstill. Contact can result in death, severe bodily injury or irreparable material damage.**

## 7.2 Connection – general

- Take any necessary measures to ensure that the electrical connections and cables cannot be damaged.
- The voltage and frequency must be checked in advance and must match the motor specifications. This data is shown on the type plate of the motor.
- It is not permitted to use the motor without a motor protection switch.
- For frequency controlled motors, make sure there is sufficient starting torque and make sure the motor is cooled sufficiently at low speeds. Install an independently operating fan if necessary. For the wiring diagram, see technical specifications BV series.
- Establish an earth connection (A) to the pump or pump unit.



- Check whether the motor connection matches the mains voltage. See the type plate for the motor. Check the connections in the terminal box behind the control panel.

### 7.3 Electrical connection

#### Motors up to 3 kW (4 Hp)

The type plate is labelled 230V/400V.

This means the winding voltage of the motor may not exceed 230V. The 400V indicates the voltage between the phases. 3x400V is three-phase electric power. This means the motor must be connected in **STAR** configuration (see technical specifications BV series).

#### Motors of 3 kW (4Hp) or more

The type plate is labelled 400V/690V.

This means the winding voltage of the motor may not exceed 400V. Because the maximum voltage is 400V, this motor must be connected in a **DELTA** configuration (see technical specifications BV series).

### 7.4 Control panel

The pump unit is equipped with a control panel.

#### Note

The detailed manual for the soft-starter is available for download at: [www.bbapumps.com/softstarter](http://www.bbapumps.com/softstarter)

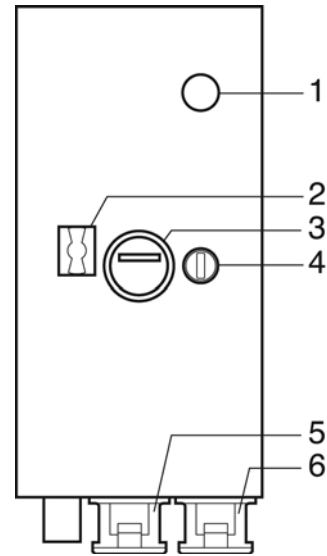
## BV series pumps

There are various types of panels for different pump units. For the USA version: see provided LOFA documentation.

The actual control panel may therefore differ from the illustration.

1. Malfunction indicator light
2. Control panel lock
3. Hour counter
4. Selection switch
5. Float switch connection 'low liquid level'
6. Float switch connection 'high liquid level'

- Malfunction indicator light (1) lights up in the event of a pump unit malfunction. This could result from activation of a protection circuit, for example.
- The control panel can be opened via the lock (2). The electrical panel is located behind the control panel.



### WARNING

Always switch off the voltage before the control panel is opened.

- The hour counter (3) indicates how long the pump has been in operation. This hour reading is also important for determining when the pump unit requires maintenance.
- Switch (4) has three functions:
  - (1) Pump unit is switched off.
  - (2) Pump unit is switched on manually and runs continuously.

### Note

To prevent damage to the pump it is important that the pump can draw sufficient liquid.

(3) The pump unit is set to 'auto start'.

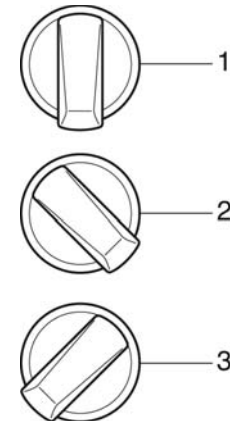
This means that the pump unit will switch itself on at certain times.

The activation parameters can be set by the user by means of the two float switches.

If the pump is running in 'auto start' mode, the float switches must be connected to the control panel.

Because the system is designed for delayed start-up it may take some time before the pump unit begins to run.

- Connections (5) and (6) are intended for connection of the float switches for determining the liquid level.



It is also possible to connect pressure sensors to these connections (available as an option).

## Note

The pressure sensors are wired differently than the float switches, so it is not possible to use both.

Because the pressure sensors are optional, only the standard float switches are described.

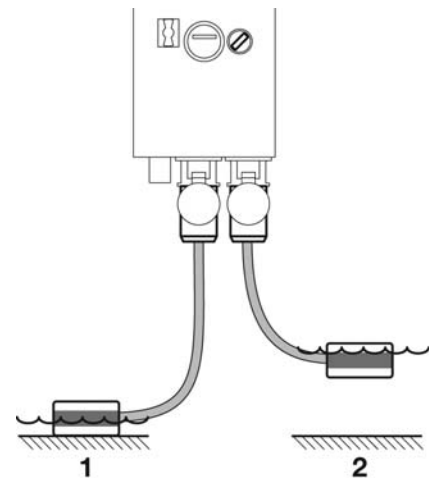
The two floats that are used are identical. However, which float switch is used for the minimum level (1) and maximum level (2) depends on where the plug is connected on the control panel.

## Note

The float switches are made for use in water.  
For use in other substances, contact BBA Pumps.

## Note

When float switches are used it is important that the pump unit cycle on and off no more than four times per hour. Keep this in mind when placing the float switches.



### WARNING

**When float switches are used the pump unit may start automatically.**

**Therefore always switch off the power when working on the pump unit.**

## 7.5 Safeguards

Make sure that if safeguards are required they are installed and the right type of safeguard is used (see technical specifications BV series).

The installation instructions explain when a safeguard must be installed.

Examples of types of safeguards that may be required are:

- temperature
- overpressure
- under pressure
- direction of rotation
- oil level
- overload
- etc.

It is not permitted to use the motor without a motor protection switch.

To protect the motor against overload, a thermal motor protector or thermal/magnetic motor protector must be installed.

Use the nominal power rating of the motor when setting the protector.

## 7.6 Electric motors

It is possible that (following approval from BBA Pumps) the pump or pump unit will be used in a high-risk environment.

Examples of situations that involve high risk include:

- pumping highly flammable liquids
- dusty environment
- environment with explosive gases in the vicinity

The risk category is defined in accordance with the ATEX Directive.

It is very important that the right pump unit is chosen for such situations.

Guidelines for motor selection in ATEX zones:

Environment	Environment	T1	T2	T3	T4
Gas	3	Ex II 3G EEx-nA-II-T3	Ex II 3G EEx-nA-II-T3	Ex II 3G EEx-nA-II-T3	Ex II 2G Eex-d(e)-T4
Gas	2	Ex II 2G EEx-e-II-T3	Ex II 2G EEx-e-II-T3	Ex II 2G EEx-e-II-T3	Ex II 2G Eex-d(e)-T4
Dust	3	Ex II 3D T125 C	Ex II 3D T125 C	Ex II 3D T125 C	Ex II 3D T125 C
Dust	2	Ex II 2D T125 C Incl. PTC sensor	Ex II 2D T125 C Incl. PTC sensor	Ex II 2D T125 C Incl. PTC sensor	Ex II 2D T125 C Incl. PTC sensor

Take measures to ensure that the electrical connections and cables cannot be damaged.

The voltage and frequency must be determined in advance and match the specifications for the winding configuration of the motor.

This data is shown on the type plate of the motor.

For explosion-safe motors the data from the type plate of the motor must match the temperature class of the flammable/explosive gas/liquid.

## Isolation switch

In order to be able to perform work on the pump or pump unit safely, the isolation switch must be placed as close as possible to the pump unit.

It is recommended that an earth leakage circuit breaker also be installed.

The installation must be protected against inadvertent starting. The switching equipment must comply with the local regulations.

## 7.7 Commissioning

Perform the following steps to commission a pump or pump unit with an electric drive:

- Check the pump type (type plate) and the characteristics of the pump unit, such as: rpm, operating pressure, power consumption, operating temperature, direction of rotation, NPSH, etc.
- Check whether the electrical system has been installed in compliance with local regulations. Also check whether the required measures have been taken to completely eliminate danger to the user.
- Check whether the motor connection matches the mains voltage.
- Check the setting of the motor protector.
- Connect the suction and pressure pipes.
- Fill and bleed the pump (only necessary if there is no vacuum system present).

## 7.8 Checking the direction of rotation



### **WARNING**

**This test may only be performed by personnel with the appropriate training and authorisation.**

Check whether the direction of rotation of the motor matches that of the pump.

To check the direction of rotation the motor must be switched on briefly. The motor must not be allowed to reach the normal operating speed.

If the direction of rotation is incorrect, the connection must be changed in the terminal box.

## 7.9 Starting

Select the desired operating mode with the switch on the control panel.

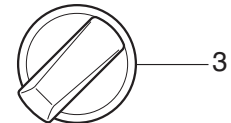
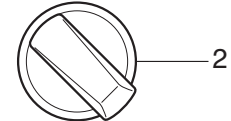
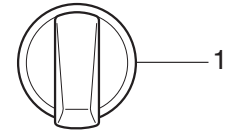
- Continuous operation.

Turn the switch on the control panel to the left (position 2).

Due to the built in start-up delay, it may take a moment before the motor actually starts.

- Level protection.

Turn the switch on the control panel to the right (position 3). The pump will cycle on and off depending on the level of the liquid being pumped.



Check the level of both float switches before doing this.

### Note

When float switches are used it is important that the pump unit cycle on and off no more than four times per hour.

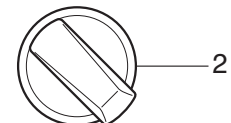
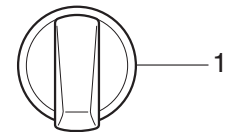
Keep this in mind when placing the float switches.

### Note

The pump must always be at a complete standstill when the position of the switch is changed.

## 7.10 Stopping

1. Turn the switch on the control panel to position (1).
2. Observe whether the system comes to a gradual, smooth stop.
3. Perform the general steps for shutting down the pump (see chapter 7).





## 8 Pump unit with diesel drive

### 8.1 Safety instructions

- Never run the engine in an enclosed space.
- Provide a proper gas-tight discharge for exhaust gases.
- Provide sufficient ventilation.
- Never fill the fuel tank while the engine is running.
- Wear hearing protection while in the vicinity of a running engine.

**WARNING**

It is the employer's responsibility to ensure that the safety measures (such as protection against overload) and the resulting actions (such as shut-down of the engine) are included in the safety circuit.

**DANGER**

Exhaust gases contain carbon monoxide. Carbon monoxide is a colourless, odourless and deadly gas which, when inhaled, prevents the body from absorbing oxygen, resulting in asphyxiation. Severe carbon monoxide poisoning can result in brain damage or death.

### 8.2 Connection – general

For pump units driven by a combustion engine, the engine manual can be provided upon request. Contact the supplier of your pump unit immediately if this manual is not present.

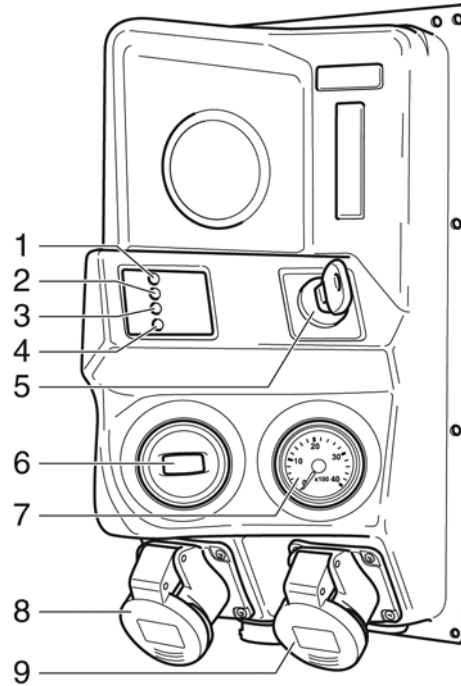
- The following instructions supersede any conflicting information found in the combustion engine manual:
- Observe all applicable local safety instructions.
- Shield the engine exhaust pipe to prevent accidental contact.
- The starting system must automatically disengage when the engine starts.
- The maximum and minimum engine speed set by BBA Pumps may not be changed.
- Before starting, check the following:
  - engine coolant level, if applicable
  - coolant leakage, if applicable
  - engine oil level
  - fuel level
  - fuel lines, for leakage

### 8.3 Control panel for mechanically regulated engine

The pump unit is equipped with an LC20 control panel.

1. Auto standby LED (green)
2. Glow plug LED (yellow)
3. Oil pressure LED (red)
4. Temperature LED (yellow)
5. Selection switch
6. Hour counter
7. RPM meter
8. Float switch connection 'low liquid level'
9. Float switch connection 'high liquid level'

- If the Auto standby LED (green) is on, the key switch is in the auto-start position and the system can be started.
- If the glow plug LED (yellow) is on, the system is being preheated. When the LED goes out the engine can be started.



#### **WARNING**

**Maintenance on the electrical system may only be performed after the power supply has been disconnected.**

**These activities may only be performed by personnel with the appropriate training and authorisation.**

- The hour counter indicates how long the pump has been in service. This hour reading is also important for determining when the pump unit requires maintenance.

- The selection switch has three functions:

(1) Pump unit is switched off.

(2) Pump unit is switched on manually.

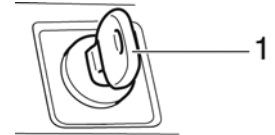
This means that the pump unit will run continuously. To prevent damage to the pump it is important that the pump can draw sufficient liquid.

(3) The pump unit is set to 'auto start'.\*

This means that the pump unit will switch itself on at certain times. The activation parameters can be set by the user by means of the two float switches.

If the pump is running in 'auto start' mode, the float switches must be connected to the control panel.

\* A wireless remote control is available as an option. If the wireless remote control has been supplied, position (3) is used for the wireless remote control. The manual for the remote control is provided separately.



### Note

Because the system is designed for delayed start-up it may take some time before the pump begins to run.

- The RPM meter (7) shows the speed of the combustion engine. This speed can be adjusted as desired via the speed regulator.
- Connections (8) and (9) are intended for connection of the float switches for determining the liquid level.

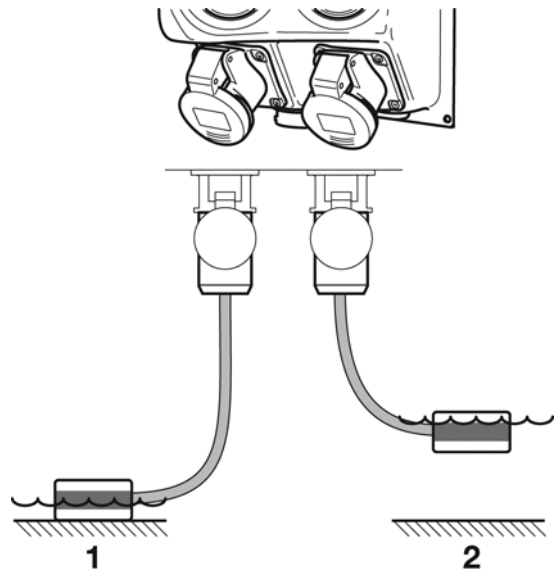
### Note

The float switches are made for use in water. For use in other liquids, contact BBA Pumps.

The two floats that are used are identical.

Connection (9) switches on the pump unit when the maximum level (2) is reached.

Connection (8) switches off the pump unit when the minimum level (1) is reached.



### Note

Position the floats so the pump unit starts no more than 4 times per hour.

## BV series pumps



### WARNING

When float switches are used the pump unit may start automatically. Therefore always switch off the power when working on the pump unit.

## 8.4 Control panel for electronically regulated engine

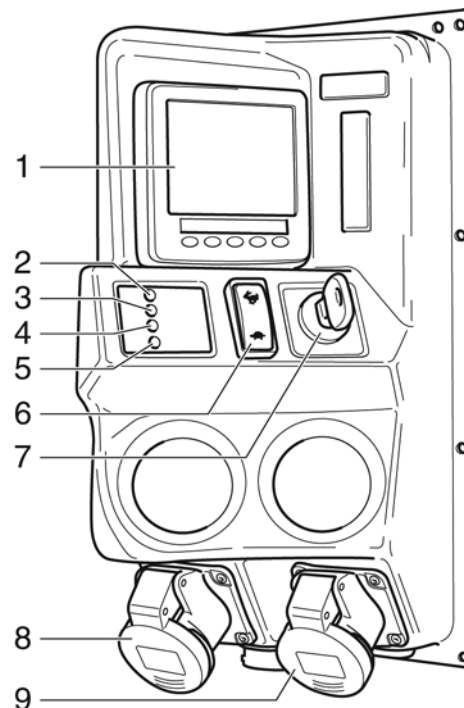
### Note

The LC30 can optionally be used for a mechanically regulated engine. In that case, a number of functions on the control panel are unused.

The pump unit is equipped with an LC30 control panel.

1. LCD screen
2. Auto standby LED (green)
3. Glow plug LED (yellow)
4. Stop LED (red)
5. Warning LED (yellow)
6. Button for changing engine speed
7. Selection switch
8. Float switch connection 'low liquid level'
9. Float switch connection 'high liquid level'

- If the Auto standby LED (green) is on, the key switch is in the auto-start position and the system can be started.
- If the glow plug LED (yellow) is on, the system is being preheated. When the LED goes out the engine can be started.
- If the stop LED (yellow) is on, the ECU has stopped the engine due to a fault.
- If the warning LED (yellow) is on, the ECU has issued a warning.



### WARNING

Maintenance on the electrical system may only be performed after the power supply has been disconnected.

These activities may only be performed by personnel with the appropriate training and authorisation.

– Selection switch, has three functions::

(1) Pump unit is switched off.

(2) Pump unit is switched on manually.

This means that the pump unit will run continuously.

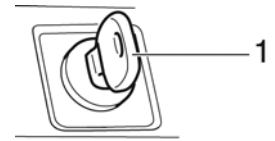
To prevent damage to the pump it is important that the pump can draw sufficient liquid.

(3) The pump unit is set to 'auto start'.

This means that the pump unit will switch itself on at certain times.

These activation parameters can be set by the user by means of the two float switches.

If the pump is running in 'auto start' mode, the float switches must be connected to the control panel.



### Note

Because the system is designed for delayed start-up it may take some time before the engine starts.

– It is also possible to connect a pressure sensor to the LC30 (available as an option).

### Note

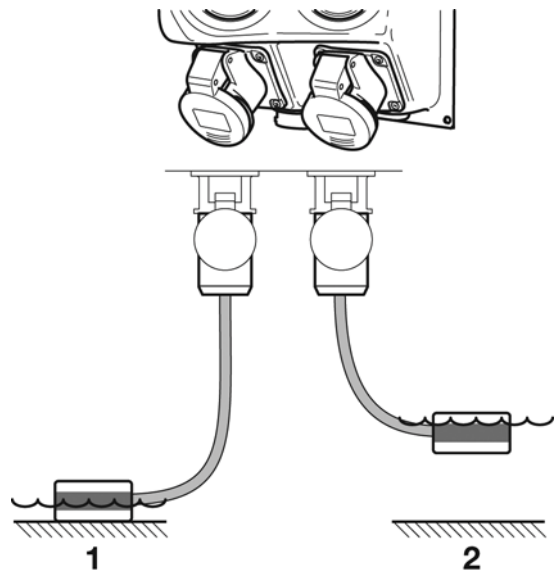
The float switches are made for use in water. For use in other liquids, contact BBA Pumps.

### Note

Position the floats so the pump unit starts no more than 4 times per hour.

The two floats that are used are identical.

Connection (9) switches on the pump unit when the maximum level (2) is reached. Connection (8) switches off the pump unit when the minimum level (1) is reached.



## BV series pumps



### WARNING

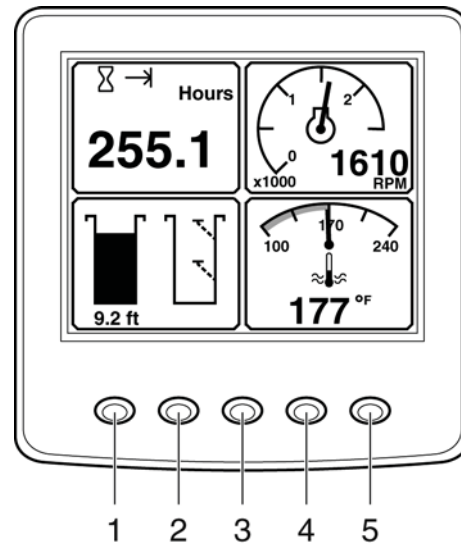
When float switches are used the pump unit may start automatically.  
Therefore always switch off the pump unit when working on the pump unit.

– Depending on the configuration of the control unit, several gauges are shown on the display.

1. Button for selecting analogue gauges (four pages of analogue gauges, 16 in total).
2. Button for selecting digital gauges (four pages of digital gauges, 16 in total).
3. Button for choosing several analogue gauges (step through all available analogue gauges).
4. Button for selecting the active alarm page. Displays all the active alarm signals, including a description.
5. Button for configuring gauges. Configures the parameters that are shown on the gauge pages.

### Note

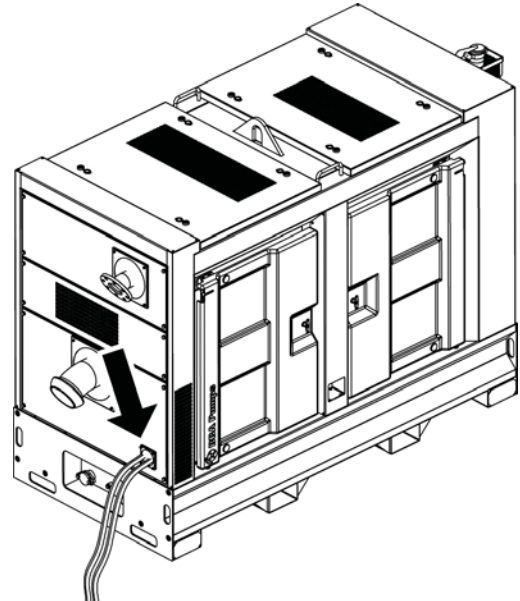
The detailed manual for the LCD screen is available for download at: [www.bbapumps.com/lcd](http://www.bbapumps.com/lcd)



## 8.5 Connection of auxiliary fuel supply (optional)

### Auxiliary fuel tank (optional)

- Run the supply and return hoses into the pump unit via one of the feed-throughs (1).
- Lead both hoses to the connection points inside the housing and connect the hoses.



#### WARNING

Connection of the external fuel tank must be performed by the user. The user is responsible for making the connection and installing the necessary safety measures. Check for fuel leaks after making the connections.



#### WARNING

Make sure that if a leak should occur no fuel can enter the pump unit.



#### WARNING

Leakage of fuel can be extremely harmful to the environment. Do everything necessary to prevent fuel leakage.

#### Note

After the lines have been connected, secure them inside the housing. Take measures to prevent them from rubbing against sharp parts.

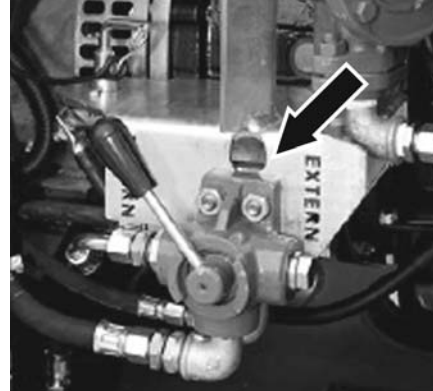
## BV series pumps

### Selection handle (optional)

- Set the handle to 'EXTERN' to use fuel from the external fuel tank.
- Set the handle to 'INTERN' to use fuel from the internal fuel tank.

#### Note

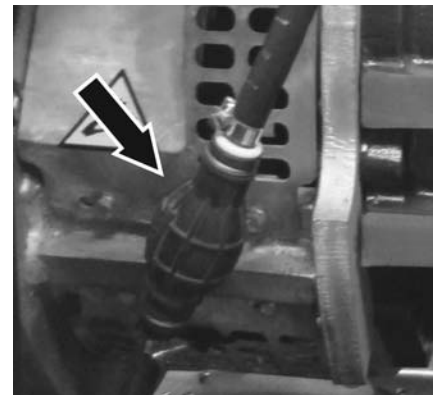
If the handle is in the 'INTERN' position, the external tank does not necessarily have to be connected.



### Priming the fuel system

Prime the fuel system before starting the engine for the first time, after the fuel tank has been drained completely or after replacement of the fuel filter(s).

1. Set the fuel handle (2) to the desired position (INTERN or EXTERN).
2. Make sure there is sufficient fuel in the selected tank.
3. Visually inspect the fuel lines for routing and leakage.
4. Open the bleed valve for the fuel filter (see instructions for the installed engine).
5. Operate the priming pump manually to pressurise the fuel circuit (see instructions for the installed engine). In some cases a separate priming pump is present.  
Continue pumping until there are no more air bubbles in the fuel escaping via the bleed valve.



#### Note

Capture the escaping fuel.

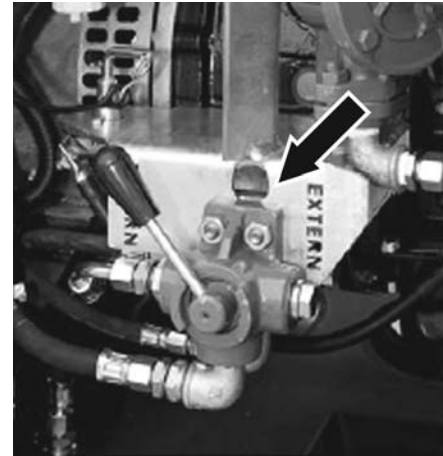
6. Close the bleed valve.
7. Dispose of the discharged fuel.

## 8.6 Starting – general

1. Check the pump type (type plate) and the characteristics of the pump unit, such as: rpm, operating pressure, power consumption, operating temperature, direction of rotation, NPSH, etc.
2. Check whether the pump unit is placed in accordance with the instructions. Pay particular attention to the area around the pump unit. Make sure the pump unit can draw adequate fresh air.
3. Check whether the prescribed safety provisions are in place.
4. Connect the hoses (see chapter 6).
5. Fill and bleed the pump (see chapter 7).
6. Perform the daily maintenance.

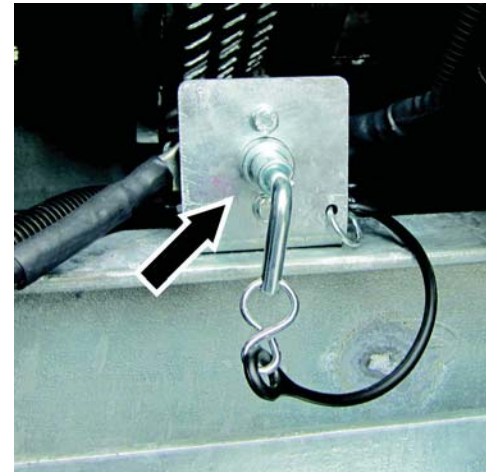


7. Set the fuel selection handle in the desired position, if present.
8. Make sure there is sufficient fuel in the selected fuel tank.
9. Bleed the fuel system, if necessary.
10. Perform the general steps for starting the pump (see chapter 7).
11. Close the earth switch, if present.



12. If the pump unit is equipped with an emergency stop switch, check whether the emergency stop switch is depressed.
13. Select the desired operating mode with the switch on the control panel.

Continuous operation



## BV series pumps

Turn the switch on the control panel to the left (position 2).  
Due to the built in start-up delay, it may take a moment before the motor actually starts.

### Level protection

Turn the switch on the control panel to the right (position 3).  
The pump will cycle on and off depending on the level of the liquid being pumped.

### Note

The pump must always be at a complete standstill when the position of the switch is changed.

## 8.7 Shutting down – general

1. Gradually reduce the engine speed. Allow the engine to run at idle for approximately two minutes.
2. Turn the switch on the control panel to position (1).
3. Observe whether the system comes to a gradual, smooth stop.
4. Perform the general steps for shutting down the pump (see chapter 7).

## 8.8 Diesel drive – Perkins engine

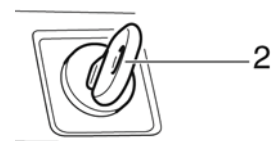
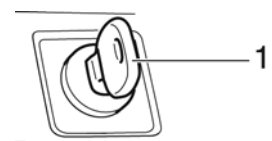
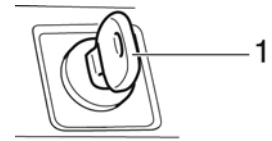


### WARNING

**Use only the type of diesel fuel recommended by Perkins.**  
**The use of fuel that does not meet the Perkins specifications can result in the engine no longer meeting the applicable emission requirements and may cause severe engine damage.**

The text, data and images have been reproduced from the original Perkins manual with permission from Perkins.

For more detailed information and maintenance instructions, please refer to the original Perkins manual.



## Aftercooler Core - Inspect

### Note

Adjust the frequency of cleaning according to the effects of the operating environment.

Inspect the aftercooler for these items: damaged fins, corrosion, dirt, grease, insects, leaves, oil, and other debris. Clean the aftercooler, if necessary.

For air-to-air aftercoolers, use the same methods that are used for cleaning radiators.



### WARNING

**Personal injury can result from air pressure. Personal injury can result without following proper procedure. When using pressure air, wear a protective face shield and protective clothing.**

**Maximum air pressure at the nozzle must be less than 205 kPa (30 psi) for cleaning purposes.**

After cleaning, start the engine and accelerate the engine to high idle rpm. This will help in the removal of debris and drying of the core. Stop the engine. Use a light bulb behind the core in order to inspect the core for cleanliness. Repeat the cleaning, if necessary.

Inspect the fins for damage. Bent fins may be opened with a "comb".

### Note

If parts of the aftercooler system are repaired or replaced, a leak test is highly recommended.

Inspect these items for good condition: Welds, mounting brackets, air lines, connections, clamps, and seals. Make repairs, if necessary.

## Alternator - Inspect

Perkins recommends a scheduled inspection of the alternator. Inspect the alternator for loose connections and correct battery charging.

## Alternator and Fan Belts - Inspect/Adjust

### Inspection

To maximize the engine performance, inspect the belts for wear and for cracking.

## BV series pumps

### Battery Electrolyte Level - Check

When the engine is not run for long periods of time or when the engine is run for short periods, the batteries may not fully recharge. Ensure a full charge in order to help prevent the battery from freezing. If batteries are correctly charged, the ammeter reading should be very near zero, when the engine is in operation.



#### **WARNING**

**All lead-acid batteries contain sulfuric acid which can burn the skin and clothing. Always wear a face shield and protective clothing when working on or near batteries.**

1. Remove the filler caps. Maintain the electrolyte level to the "FULL" mark on the battery. If the addition of water is necessary, use distilled water. If distilled water is not available use clean water that is low in minerals. Do not use artificially softened water.
2. Check the condition of the electrolyte with a suitable battery tester.
3. Install the caps.
4. Keep the batteries clean.  
Clean the battery case with one of the following cleaning solutions:
  - Use a solution of 0.1 kg (0.2 lb) baking soda and 1 L (1 qt) of clean water.
  - Use a solution of ammonium hydroxide. Thoroughly rinse the battery case with clean water.

### Driven equipment - Checking

Consult the OEM specifications for more information about the following maintenance recommendations for the driven equipment:

- Inspection
- Adjustment
- Lubrication
- Other maintenance recommendations

Carry out all the maintenance work on the driven equipment that is recommended by the OEM.

### Engine - Clean



#### **WARNING**

**Personal injury or death can result from high voltage  
Moisture can create paths of electrical conductivity.  
Make sure that the electrical system is OFF. Lock out the starting controls and tag the controls "DO NOT OPERATE".**

**Note**

Accumulated grease and oil on an engine is a fire hazard. Keep the engine clean. Remove debris and fluid spills whenever a significant quantity accumulates on the engine.

Periodic cleaning of the engine is recommended. Steam cleaning the engine will remove accumulated oil and grease. A clean engine provides the following benefits:

- Easy detection of fluid leaks
- Maximum heat transfer characteristics
- Ease of maintenance

**Note**

Caution must be used in order to prevent electrical components from being damaged by excessive water when the engine is cleaned. Pressure washers and steam cleaners should not be directed at any electrical connectors or the junction of cables into the rear of the connectors. Avoid electrical components such as the alternator, and the starter. Protect the fuel injection pump from fluids in order to wash the engine.

### Engine Air Cleaner Service Indicator - Inspect

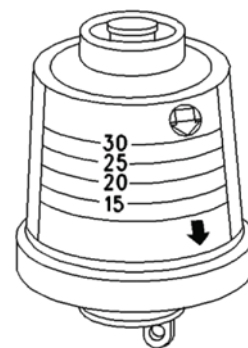
Some engines may be equipped with a different service indicator.

Some engines are equipped with a differential gauge for inlet air pressure. The differential gauge for inlet air pressure displays the difference in the pressure that is measured before the air cleaner element and the pressure that is measured after the air cleaner element. As the air cleaner element becomes dirty, the pressure differential rises. If your engine is equipped with a different type of service indicator, follow the OEM recommendations in order to service the air cleaner service indicator.

The service indicator may be mounted on the air cleaner element or in a remote location.

Observe the service indicator. The air cleaner element should be cleaned or the air cleaner element should be replaced when one of the following conditions occur:

- The yellow diaphragm enters the red zone.
- The red piston locks in the visible position.



### Test the Service Indicator

Service indicators are important instruments.

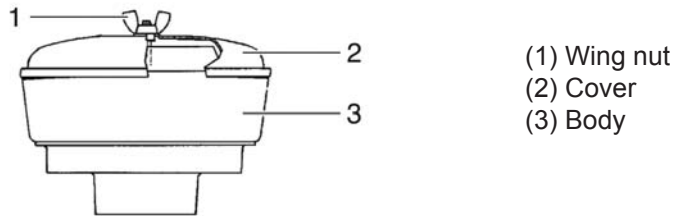
- Check for ease of resetting. The service indicator should reset in less than three pushes.
- Check the movement of the yellow core when the engine is accelerated to the engine rated speed. The yellow core should latch at the greatest vacuum that is attained.

## BV series pumps

If the service indicator does not reset easily, or if the yellow core does not latch at the greatest vacuum, the service indicator should be replaced. If the new service indicator will not reset, the hole for the service indicator may be restricted.

The service indicator may need to be replaced frequently in environments that are severely dusty.

### Engine Air Precleaner - Check/Clean



- Remove wing nut (1) and cover (2). Check for an accumulation of dirt and debris in body (3). Clean the body, if necessary.
- After cleaning the precleaner, install cover (2) and wing nut (1).

#### Note

When the engine is operated in dusty applications, more frequent cleaning is required.

### Engine Oil Level - Check



#### WARNING

**Hot oil and hot components can cause personal injury. Do not allow hot oil or hot components to contact the skin.**

Perform this maintenance with the engine stopped.

1. Maintain the oil level between "ADD" mark (Y) and "FULL" mark (X) on oil level gauge (1). Do not fill the crankcase above "FULL" mark (X).

#### Note

Operating your engine when the oil level is above the "FULL" mark could cause your crankshaft to dip into the oil. The air bubbles created from the crankshaft dipping into the oil reduces the oil's lubricating characteristics and could result in the loss of power.

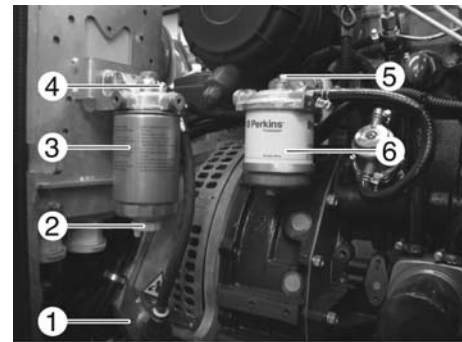
2. Remove the oil filler cap and add oil, if necessary.  
Clean the oil filler cap. Install the oil filler cap.

Be careful not to spill any fluids while performing the inspection, maintenance, test, adjustment or repair of the engine. Be prepared to capture the fluid in a suitable container before you open a chamber or remove a component that contains a fluid.

Dispose of all fluids according to local regulations and mandates.

### Water separator

Make sure the air has been eliminated from the water separator (3) before you prime the fuel filter (6). It can be bled via the bleeder screw (4).



### Fuel System - Prime

Use the following procedure in order to prime the fuel system:

If air enters the fuel system, the air must be purged from the fuel system before the engine can be started. Air can enter the fuel system when the following events occur:

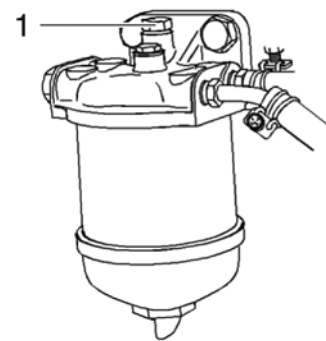
- The fuel tank is empty or the fuel tank has been partially drained.
- The low pressure fuel lines are disconnected.
- A leak exists in the low pressure fuel system.
- The fuel filter is replaced.

### Fuel filters

There are three types of fuel filter that may be installed on the engine.

#### Canister

Vent screw (1) is installed on the fuel filter that has a canister.



## BV series pumps

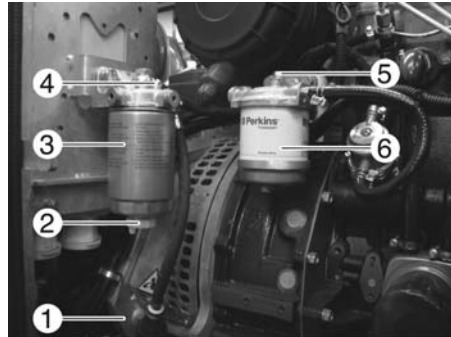
### Priming the system

Make sure the air has been eliminated from the water separator. Then unscrew the bleeder screw (5) a few turns. Operate the priming pump (1). When fuel exits the bleeder screw (5) without air bubbles, tighten the bleeder screw.

#### Note

Some fuel systems make use of gravity to eliminate air from the pre-filter. For such systems you must make sure the fuel tank is full and that shut-off valves in the fuel line are open.

There are various types of systems that can be mounted on the engine to purge air from the fuel system.



### Fuel System Primary Filter/Water Separator - Drain



#### WARNING

Fuel leaked or spilled onto hot surfaces or electrical components can cause a fire. To help prevent possible injury, turn the start switch off when changing fuel filters or water separator elements. Clean up fuel spills immediately.

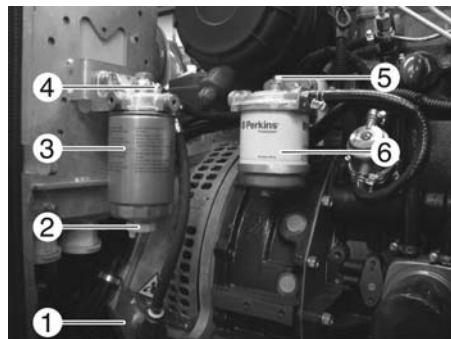
#### Note

The water separator (3) is not a filter. The water separator separates water from the fuel. The engine should never be allowed to run with the water separator more than half full. Engine damage may result.

1. Open drain (2). Catch the draining fluid in a suitable container. Dispose of the drained fluid correctly.
2. Close drain (2).

#### Note

The water separator is under suction during normal engine operation. Ensure that the drain valve is tightened securely to help prevent air from entering the fuel system.





## Fuel Tank Water and Sediment - Drain

### Note

Care must be taken to ensure that fluids are contained during performance of inspection, maintenance, testing, adjusting, and repair of the product. Be prepared to collect the fluid with suitable containers before opening any compartment or disassembling any component containing fluids.

Dispose of all fluids according to local regulations and mandates.

### Fuel Tank

Fuel quality is critical to the performance and to the service life of the engine. Water in the fuel can cause excessive wear to the fuel system.

Water can be introduced into the fuel tank when the fuel tank is being filled.

Condensation occurs during the heating and cooling of fuel. The condensation occurs as the fuel passes through the fuel system and the fuel returns to the fuel tank. This causes water to accumulate in fuel tanks. Draining the fuel tank regularly and obtaining fuel from reliable sources can help to eliminate water in the fuel.

### Drain the Water and the Sediment

Fuel tanks should contain some provision for draining water and draining sediment from the bottom of the fuel tanks.

Open the drain valve on the bottom of the fuel tank in order to drain the water and the sediment. Close the drain valve.

Check the fuel daily. Allow five minutes after the fuel tank has been filled before draining water and sediment from the fuel tank.

Fill the fuel tank after operating the engine in order to drive out moist air. This will help prevent condensation. Do not fill the tank to the top. The fuel expands as the fuel gets warm. The tank may overflow.

Some fuel tanks use supply pipes that allow water and sediment to settle below the end of the fuel supply pipe. Some fuel tanks use supply lines that take fuel directly from the bottom of the tank. If the engine is equipped with this system, regular maintenance of the fuel system filter is important.

## BV series pumps

### Radiator - Clean

The radiator is not usually supplied by Perkins. The following text describes a typical cleaning procedure for the radiator. Refer to the OEM information for further information on cleaning the radiator.

#### Note

Adjust the frequency of cleaning according to the effects of the operating environment.

Inspect the radiator for these items: damaged fins, corrosion, dirt, grease, insects, leaves, oil, and other debris. Clean the radiator, if necessary.



#### WARNING

**Personal injury can result from air pressure. Personal injury can result without following proper procedure. When using pressure air, wear a protective face shield and protective clothing.**

**Maximum air pressure at the nozzle must be less than 205 kPa (30 psi) for cleaning purposes.**

Pressurized air is the preferred method for removing loose debris. Direct the air in the opposite direction to the fan's air flow. Hold the nozzle approximately 6 mm (0.25 inch) away from the radiator fins.

Slowly move the air nozzle in a direction that is parallel with the radiator tube assembly. This will remove debris that is between the tubes.

Pressurized water may also be used for cleaning. The maximum water pressure for cleaning purposes must be less than 275 kPa (40 psi). Use pressurized water in order to soften mud. Clean the core from both sides.

Use a degreaser and steam for removal of oil and grease. Clean both sides of the core. Wash the core with detergent and hot water. Thoroughly rinse the core with clean water.

If the radiator is blocked internally, refer to the OEM Manual for information regarding flushing the cooling system.

After cleaning the radiator, start the engine. Allow the engine to operate at low idle speed for three to five minutes. Accelerate the engine to high idle. This will help in the removal of debris and drying of the core. Slowly reduce the engine speed to low idle and then stop the engine. Use a light bulb behind the core in order to inspect the core for cleanliness. Repeat the cleaning, if necessary.

Inspect the fins for damage. Bent fins may be opened with a "comb". Inspect these items for good condition: Welds, mounting brackets, air lines, connections, clamps, and seals.

Make repairs, if necessary.

### Walk-Around Inspection

A walk-around inspection should only take a few minutes. When the time is taken to perform these checks, costly repairs and accidents can be avoided.

For maximum engine service life, make a thorough inspection of the engine compartment before starting the engine. Look for items such as oil leaks or coolant leaks, loose bolts, worn belts, loose connections and trash buildup. Make repairs, as needed:

- The guards must be in the correct place. Repair damaged guards or replace missing guards.
- Wipe all caps and plugs before the engine is serviced in order to reduce the chance of system contamination.

### Note

For any type of leak (coolant, lube, or fuel) clean up the fluid. If leaking is observed, find the source and correct the leak. If leaking is suspected, check the fluid levels more often than recommended until the leak is found or fixed, or until the suspicion of a leak is proved to be unwarranted.

### Note

Accumulated grease and/or oil on an engine is a fire hazard. Remove the accumulated grease and oil. Refer to this Operation and Maintenance Manual, "Engine - Clean" for more information.

- Ensure that the cooling system hoses are correctly clamped and that the cooling system hoses are tight. Check for leaks. Check the condition of all pipes.
- Inspect the water pump for coolant leaks.

### Note

The water pump seal is lubricated by the coolant in the cooling system. It is normal for a small amount of leakage to occur as the engine cools down and the parts contract.

Excessive coolant leakage may indicate the need to replace the water pump seal. For the removal of the water pump and the installation of water pump and/or seal, refer to the Disassembly and Assembly Manual, "Water Pump - Remove and Install" for more information or consult your Perkins dealer or your Perkins distributor.

- Inspect the lubrication system for leaks at the front crankshaft seal, the rear crankshaft seal, the oil pan, the oil filters and the rocker cover.
- Inspect the fuel system for leaks. Look for loose fuel line clamps and/or tie-wraps.
- Inspect the piping for the air intake system and the elbows for cracks and for loose clamps. Ensure that hoses and tubes are not contacting other hoses, tubes, wiring harnesses, etc.
- Inspect the alternator belts and any accessory drive belts for cracks, breaks or other damage.

Belts for multiple groove pulleys must be replaced as matched sets. If only one belt is replaced, the belt will carry more load than the belts that are not replaced. The older belts are stretched. The additional load on the new belt could cause the belt to break.

- Drain the water and the sediment from the fuel tank on a daily basis in order to ensure that only clean fuel enters the fuel system.
- Inspect the wiring and the wiring harnesses for loose connections and for worn wires or frayed wires.
- Inspect the ground strap for a good connection and for good condition.

## BV series pumps

- Disconnect any battery chargers that are not protected against the current drain of the starting motor. Check the condition and the electrolyte level of the batteries, unless the engine is equipped with a maintenance free battery.
- Check the condition of the gauges. Replace any gauges that are cracked. Replace any gauge that can not be calibrated.

### Fuel specifications

#### Classification of the Fuels

Diesel engines have the ability to burn a wide variety of fuels. These fuels are divided into four general groups: Ref to table A.

Fuel Groups	Classification	
Group 1	Preferred fuels	Full life of the Product
Group 2	Permissible fuels	These fuels MAY cause reduced engine life and performance
Group 3	Aviation fuels	These fuels WILL cause reduced engine life and performance
Group 4	Biodiesel	

**Table 1:**

#### Group 1 Specifications (Preferred Fuels)

This group of fuel specifications is considered acceptable:

- EN590 DERV Grade A, B, C, E, F, Class 0, 1, 2, 3 and 4
- “ASTM D975”, Grade 2D S15, and Grade 2D S500
- “JIS K2204 Grades 1,2,3 and Special Grade 3”. This grade of fuel must meet the minimum lubricity requirements that are stated in table B.
- “BS2869 Class A2” Off-Highway Gas Oil Red Diesel.

#### Note

BS2869 can only be used if the sulfur level meets the specifications that are listed in tables C and D. An analysis of a sample of fuel must be conducted in order to check the sulfur level.

#### Note

The use of LSD fuel and the use of ULSD fuel is acceptable provided that the fuels meet the minimum requirements that are stated in tables B, C and D. The lubricity of these fuels must not exceed wear scar diameter of 0.46 mm (0.0181 inch). The lubricity test must be performed on a HFRR, operated at 60 °C (140 °F). Refer to “ISO 12156-1”. By using the test methods “ASTM D5453, ASTM D2622, or

ISO 20846 ISO 20884”, the content of sulfur in LSD fuel must be below 500 PPM 0.05%. By using the test methods “ASTM D5453, ASTM D2622, or ISO 20846 ISO 20884”, the content of sulfur in ULSD fuel must be below 15 PPM 0.0015%.

### Group 2 Specifications (Permissible Fuels)

This group of fuel specifications is considered acceptable, but these fuels MAY reduce the engine life and performance.

- “ASTM D975”, Grade 1D S15, and Grade 1D S500
- • “JP7 (MIL-T-38219)”
- • “NATO F63”

#### Note

JP7 and NATO F63 can only be used if the sulfur level meets the specifications that are listed in tables C and D. An analysis of a sample of fuel must be conducted in order to check the sulfur level.

### Group 3 Specifications (Aviation Fuels)

This group of fuel specification must be used only with the appropriate fuel additive. This fuel WILL reduce engine life and performance.

- "NATO F34 (MIL-DTL-83133E)"
- "NATO F35 (MIL-DTL-83133E)"
- "NATO JP8 (MIL-DTL-83133E)"
- "NATO F-44 (MIL-DTL-5624U)"
- "NATO JP5 (MIL-DTL-5624U)"
- "Jet A (ASTM D1655)"
- "Jet A1 (ASTM D1655)"

#### Note

All the above fuels can ONLY be used if the sulfur level meets the specifications that are listed in tables C and D. An analysis of a sample of fuel must be conducted in order to check the sulfur level.

#### Note

These fuels are only acceptable provided that these fuels are used with an appropriate fuel additive. These fuels must meet the requirements that are stated in tables B, C and D. Fuel samples should be analyzed for the compliance. These fuels MUST NOT exceed lubricity wear scar diameter of 0.46 mm (0.0181 inch). The fuel lubricity test must be performed on a HFRR, operated at 60 °C (140 °F). Refer to “ISO 12156-1”. Fuels must have minimum viscosity of 1.4 centistokes that is delivered to the fuel injection pump. Fuel cooling may be required in order to maintain minimum viscosity of 1.4 centistokes that is delivered to the fuel injection pump.

## BV series pumps

<b>Perkins Specification for Distillate Diesel Fuel <sup>(1)</sup></b>				
<b>Property</b>	<b>UNITS</b>	<b>Requirements</b>	<b>"ASTM"Test</b>	<b>"ISO"Test</b>
Aromatics	%Volume	35% maximum	D1319	"ISO" 3837
Ash	%Weight	0.02% maximum	D482	"ISO" 6245
Carbon Residue on 10% Bottoms	%Weight	0.35% maximum	D524	"ISO" 4262
Cetane Number <sup>(2)</sup>	-	40 minimum	D613/D6890	"ISO" 5165
Cloud Point	°C	The cloud point must not exceed the lowest expected ambient temperature.	D2500	"ISO" 3015
Copper Strip Corrosion	-	No. maximum 3	D130	"ISO" 2160
Density at 15 °C (59 °F) <sup>(3)</sup>	Kg / M 3	801 minimum and 876 maximum	No equivalent test	"ISO 3675", "ISO 12185"
Distillation	°C	10% at 282 °C (539.6 °F) maximum 90% at 360 °C (680 °F) maximum	D86	"ISO" 3405
Flash Point	°C	legal limit	D93	"ISO" 2719
Thermal Stability	-	Minimum of 80% reflectance after aging for 180 minutes at 150 °C (302 °F)	D6468	No equivalent test
Pour Point	°C	6 °C (42.8 °F) minimum below ambient temperature	D97	"ISO" 3016
Sulfur <sup>(1),(4)</sup>	%mass	The level of sulfur that is in the fuel is controlled by emissions regulations. Refer to Tables C and D for more information.	D5453/ D26222	"ISO 20846", "ISO 20884"
Kinematic Viscosity <sup>(5)</sup>	"MM" <sup>2</sup> /S (cSt)"	The viscosity of the fuel that is delivered to the fuel injection pump. "1.4 minimum/4.5 maximum"	D445	"ISO" 3405
Water and sediment	%Weight	0.1% maximum	D1796	"ISO" 3734
Water	%Weight	0.1% maximum	D1744	No equivalent test
Sediment	%Weight	0.05% maximum	D473	"ISO" 3735

Perkins Specification for Distillate Diesel Fuel <sup>(1)</sup>				
Property	UNITS	Requirements	"ASTM"Test	"ISO"Test
Gums and Resins <sup>(6)</sup>	mg/100mL	10 mg per 100 mL maximum	D381	"ISO" 6246
Lubricity corrected wear scar diameter at 60 °C (140 °F). <sup>(7)</sup>	mm	0.46 maximum	D6079	"ISO" 12156-1

**Table 2:**

- (1)(1)This specification includes the requirements for Ultra Low Sulfur Diesel (ULSD). ULSD fuel will have ? 15 ppm (0.0015%) sulfur. Refer to “ASTM D5453”, “ASTM D2622”, or “ISO 20846, ISO 20884” test methods. This specification includes the requirements for Low Sulfur Diesel (LSD). LSD fuel will have ? 500 ppm (0.05%) sulfur. Refer to following:“ASTM 5453, ASTM D2622”, “ISO 20846”, and “ISO 20884 test methods”. Refer to Tables C and D.
- (2)A fuel with a higher cetane number is recommended in order to operate at a higher altitude or in cold weather.
- (3)“Via standards tables, the equivalent API gravity for the minimum density of 801 kg / m3 (kilograms per cubic meter) is 45 and for the maximum density of 876 kg / m3 is 30”.
- (4)Regional regulations, national regulations or international regulations can require a fuel with a specific sulfur limit. Consult all applicable regulations before selecting a fuel for a given engine application. Perkins fuel systems and engine components can operate on high sulfur fuels in territories that are non-emissions regulated. Fuel sulfur levels affect exhaust emissions. High sulfur fuels also increase the potential for corrosion of internal components. Fuel sulfur levels above 0.5% may significantly shorten the oil change interval. For additional information, refer to this manual, “Fluid recommendations (General lubricant Information)”.
- (5) The values of the fuel viscosity are the values as the fuel is delivered to the fuel injection pumps. Fuel should also meet the minimum viscosity requirement and the fuel should meet the maximum viscosity requirements at 40 °C (104 °F) of either the “ASTM D445” test method or the “ISO 3104” test method. If a fuel with a low viscosity is used, cooling of the fuel may be required to maintain 1.4 cSt or greater viscosity at the fuel injection pump. Fuels with a high viscosity might require fuel heaters in order to lower the viscosity to 4.5 cSt at the fuel injection pump.
- (6)Follow the test conditions and procedures for gasoline (motor).
- (7)The lubricity of a fuel is a concern with low sulfur and ultra low sulfur fuel. To determine the lubricity of the fuel, use the “ISO 12156-1 or ASTM D6079 High Frequency Reciprocating Rig (HFRR)” test. If the lubricity of a fuel does not meet the minimum requirements, consult your fuel supplier. Do not treat the fuel without consulting the fuel supplier. Some additives are not compatible. These additives can cause problems in the fuel system.

## BV series pumps

### Group 4 Biodiesel

Biodiesel is a fuel that can be defined as mono-alkyl esters of fatty acids. Biodiesel is a fuel that can be made from a variety of feedstock. The most commonly available biodiesel in Europe is Rape Methyl Ester (REM). This biodiesel is derived from rapeseed oil. Soy Methyl Ester (SME) is the most common biodiesel in the United States. This biodiesel is derived from soybean oil. Soybean oil or rapeseed oil are the primary feedstocks. These fuels are together known as Fatty Acid Methyl Esters (FAME).

Raw pressed vegetable oils are NOT acceptable for use as a fuel in any concentration in compression engines. Without esterification, these oils gel in the crankcase and the fuel tank. These fuels may not be compatible with many of the elastomers that are used in engines that are manufactured today. In original forms, these oils are not suitable for use as a fuel in compression engines. Alternate base stocks for biodiesel may include animal tallow, waste cooking oils, or a variety of other feedstocks. In order to use any of the products that are listed as fuel, the oil must be esterified.

#### Note

Engines that are manufactured by Perkins are certified by use of the prescribed Environmental Protection Agency (EPA) and European Certification fuels. Perkins does not certify engines on any other fuel. The user of the engine has the responsibility of using the correct fuel that is recommended by the manufacturer and allowed by the EPA and other appropriate regulatory agencies.

### Recommendation for the use of biodiesel

The neat biodiesel must conform to “EN14214” or “ASTM D675” regulations. A maximum of 10% mixture of biodiesel can be used in mineral diesel fuel. The mineral diesel fuel must conform to “EN590”, “ASTM D975” or “BS2869 Grade A2” regulations.

In North America, biodiesel and mixtures of biodiesel must be purchased from the BQ9000 authorized manufacturers and BQ9000 certified distributors.

In other areas of the world, the use of biodiesel that is authorized and certified by an appropriate biodiesel quality body is required.

#### Note

When biodiesel, or any blend of biodiesel is used, the user has the responsibility for obtaining the proper local exemptions, regional exemptions, and/or national exemptions that are required for the use of biodiesel in any Perkins engine that is regulated by emissions standards. Biodiesel that meets “EN14214” is acceptable. The biodiesel must be blended with an acceptable distillate diesel fuel at the maximum stated percentages. However, the following operational recommendations must be followed:

- The oil change interval can be affected by the use of biodiesel. Use Services Oil Analysis in order to monitor the condition of the engine oil. Use Services Oil Analysis also in order to determine the oil change interval that is optimum.
- Confirm that biodiesel is acceptable for use with the manufacturer of the fuel filters.



- In a comparison of distillate fuels to biodiesel, biodiesel provides less energy per gallon by 5% to 7%. Do NOT change the engine rating in order to compensate for the power loss. This will help avoid engine problems when the engine is converted back to 100 percent distillate diesel fuel.
- The compatibility of the elastomers with biodiesel is being monitored. The condition of seals and hoses should be monitored regularly.
- Biodiesel may pose low ambient temperature problems for both storage and operation. At low ambient temperatures, fuel may need to be stored in a heated building or a heated storage tank. The fuel system may require heated fuel lines, filters, and tanks. Filters may plug and fuel in the tank may solidify at low ambient temperatures if precautions are not taken. Consult your biodiesel supplier for assistance in the blending and attainment of the proper cloud point for the fuel.
- Biodiesel has poor oxidation stability, which can result in long term problems in the storage of biodiesel. The poor oxidation stability may accelerate fuel oxidation in the fuel system. This is especially true in engines with electronic fuel systems because these engines operate at higher temperatures. Consult the fuel supplier for oxidation stability additives.
- Biodiesel is a fuel that can be made from a variety of feedstock. The feedstock that is used can affect the performance of the product. Two of the characteristics of the fuel that are affected are cold flow and oxidation stability. Contact your fuel supplier for guidance.
- Biodiesel or biodiesel blends are not recommended for engines that will operate occasionally. This is due to poor oxidation stability. If the user is prepared to accept some risk, then limit biodiesel to a maximum of B5. Examples of applications that should limit the use of biodiesel are the following: Standby Generator sets and certain emergency vehicles
- Biodiesel is an excellent medium for microbial contamination and growth. Microbial contamination and growth can cause corrosion in the fuel system and premature plugging of the fuel filter. The use of conventional anti-microbial additives and the effectiveness of conventional anti-microbial additives in biodiesel is not known. Consult your supplier of fuel and additive for assistance.
- Care must be taken in order to remove water from fuel tanks. Water accelerates microbial contamination and growth. When biodiesel is compared to distillate fuels, water is naturally more likely to exist in the biodiesel.

### Fuel for Cold Weather Operation

The European standard “EN590” contains climate dependant requirements and a range of options. The options can be applied differently in each country.

There are 5 classes that are given to arctic climates and severe winter climates. 0, 1, 2, 3, and 4.

Fuel that complies with “EN590” CLASS 4 can be used at temperatures as low as -44 °C (-47.2 °F). Refer to “EN590” for a detailed discretion of the physical properties of the fuel. The diesel fuel “ASTM D975 Grade 1-D S15 or S500” that is used in the united states of america may be used in very cold temperatures that are below -18 °C (-0.4 °F).

In extreme cold ambient conditions, you may also use fuels that are listed in the table E. These fuels are intended to be used in temperatures that can be as low as -54 °C (-65.2°F).

## BV series pumps

Light Distillate Fuels <sup>(1)</sup>	
Specification	Grade
"MIL-DTL-5624U	"JP-5
"MIL-DTL-83133E	"JP-8
"ASTM D1655	"Jet-A-1

**Table 3:**

- (1) The use of these fuels is acceptable with an appropriate fuel additive and the fuels must meet minimum requirements that are stated in Tables B, C and D. Fuel samples should be analyzed for the compliance. Fuels **MUST NOT** exceed 0.46 mm lubricity wear scar diameter that is tested on a HFFR. The test must be performed at 60 °C. Refer to "ISO 12156-1". Fuels must have minimum viscosity of 1.4 centistokes that is delivered to the fuel injection pump. Fuel cooling may be required in order to maintain minimum viscosity of 1.4 centistokes that is delivered to the fuel injection pump.



### **WARNING**

**Mixing alcohol or gasoline with diesel fuel can produce an explosive mixture in the engine crankcase or the fuel tank. Alcohol or gasoline must not be used in order to dilute diesel fuel. Failure to follow this instruction may result in death or personal injury.**

There are many other diesel fuel specifications that are published by governments and by technological societies. Usually, those specifications do not review all the requirements that are addressed in tables B, C and D. To ensure optimum engine performance, a complete fuel analysis should be obtained before engine operation. The fuel analysis should include all of the properties that are stated in the tables B, C and D.

### Fuel Additive

Supplemental diesel fuel additives are not generally recommended. This is due to potential damage to the fuel system or the engine. Your fuel supplier or the fuel manufacturer will add the appropriate supplemental diesel fuel additives.

Perkins recognizes the fact that additives may be required in some special circumstances. Fuel additives need to be used with caution. The additive may not be compatible with the fuel. Some additives may precipitate. This action causes deposits in the fuel system. The deposits may cause seizure. Some additives may be corrosive, and some additives may be harmful to the elastomers in the fuel system. Some additives may raise fuel sulfur levels above the maximum that is allowed by the EPA or the other regulatory agencies. Contact your fuel supplier for those circumstances when fuel additives are required. Your fuel supplier can recommend the appropriate fuel additive and the correct level of treatment.

**Note**

For the best results, your fuel supplier should treat the fuel when additives are required. The treated fuel must meet the requirements that are stated in tables B, C and D.

## 8.9 Hatz 4L41C engine

**WARNING**

**Use only the type of diesel fuel recommended by Hatz. The use of fuel that does not meet the Hatz specifications can result in the engine no longer meeting the applicable emission requirements and may cause severe engine damage.**

The text, data and images have been reproduced from the original Hatz manual with permission from Hatz. For more detailed information and maintenance instructions, please refer to the original Hatz manual.

### Important notes on safe operation of the engine

HATZ diesel engines are economical, strongly built and long-lasting. They are therefore frequently chosen for commercially and industrially operated equipment and machinery.

If the engine forms part of the finished equipment or machine, its manufacturer will take all the applicable safety regulations into account.

Nevertheless, we would like you to note certain additional comments on operating safety which follow. Depending on the manner in which the engine is installed and its intended application, the equipment manufacturer or operator may have to attach additional safety devices and prohibit potentially hazardous aspects of operation, for example:

- Exhaust system components as well as the surface of the engine will naturally be hot and must not be touched while the engine is running or until it has cooled down after being stopped.
- Faulty wiring or incorrect operation of electrical equipment may lead to sparks forming, and must be avoided as a potential fire hazard.
- Rotating parts must be shielded so that they cannot be touched accidentally when the engine is installed in other equipment or machinery.  
Guards are available from HATZ to protect belt drives for cooling fans and generators.
- Before attempting to start the engine it is essential to have studied the starting information in the Instruction Book.
- Mechanical starting devices must not be used by children or persons of insufficient physical strength.
- In order to benefit from the advantages of the starting handle with kick-back damping, it must be used precisely as recommended in this Instruction Book.
- Before starting the engine, ensure that all the specified protective guards are in place.
- The engine must only be operated, serviced or repaired by persons who have received the appropriate training.
- Keep the starting handle and the key out of reach of unauthorized persons.

## BV series pumps

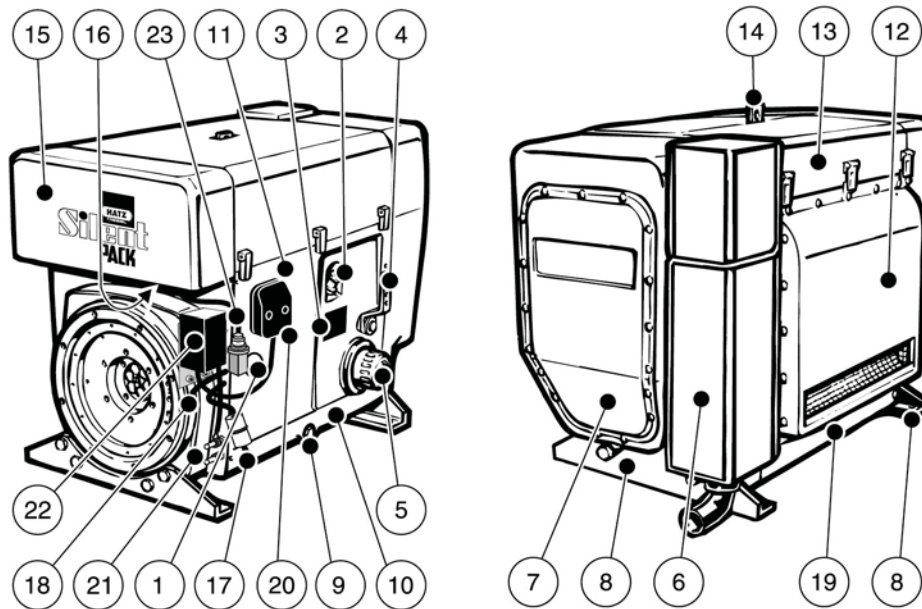
- Do not run the engine in closed or badly ventilated rooms.  
Do not breathe in emissions – danger of poisoning!
- Also fuel and lubricants could contain poisonous components. Please follow the instructions of the mineral oil producer (safety data sheets).
- Stop the engine before performing any maintenance, cleaning- and repair work.
- Stop the engine before refuelling.  
Never refuel near a naked flame or sparks which could start a fire. Don't smoke. Don't spill fuel.
- Keep explosive materials as well as flammable materials away from the engine because the exhaust gets very hot during operation.
- Wear close-fitting clothing when working on the engine while it is running.  
Please don't wear necklaces, bracelets or any other things which you could get caught with.
- Please pay attention to all advice- and warning stickers placed on the engine and keep them in legible condition. In case a label has come off or is no longer clearly legible, it must be replaced immediately.  
To this effect, please contact the **HATZ service station** in your area.
- Note that any unauthorized modifications to the engine absolve its manufacturer from liability for the consequences.

Regular servicing in accordance with the details provided in this Instruction Book is essential to keep the operating reliably and to ensure the exhaust quality of the engine.

In case of doubt, always consult your nearest **HATZ service station** before starting the engine.

Description of engine

Fully encapsulated „Silent Pack“ version  
 Engine 2 ...4L41C



- |   |  |
|---|--|
| 1 Access cover for fuel delivery pump                       | 13 Capsule hood                                      |
| 2 Oil filler pipe and dipstick                              | 14 Suspension lug (retractable),<br>max. load 5000 N |
| 3 Type plate  | 15 Air intake duct for capsule                       |
| 4 Speed control lever                                       | 16 Combustion air intake aperture                    |
| 5 Replaceable-element oil filter                            | 17 Fuel feed line line with fuel pre-filter          |
| 6 Exhaust silencer (in capsule)                             | 18 Fuel return line                                  |
| 7 Cover for air guide housing<br>(Access to fan drive belt) | 19 Cover plate, air outlet side                      |
| 8 Engine support feet                                       | 20 Central plug for electrical system                |
| 9 Oil drain plug  | 21 Battery connections                               |
| 10 Cover plate, control side                                | 22 Power-Box   |
| 11 Side panel   | 23 Electrical maintenance switch for air<br>cleaner  |
| 12 Air outlet duct  |  |

## BV series pumps

### General description

Type	4L41
Engine type	air-cooled, four-stroke diesel engine
Combustion method	direct fuel injection
Number of cylinders	4
Bore/stroke (mm)	102/105
Displacement (cm <sup>3</sup> )	3432
Engine oil pressure	
Oil temperature 100 ± 20 °C	0.6 bar at 850 rpm
Consumption of lubrication oil after running-in period	max. 1% of fuel consumption at full-load
Direction of rotation	counterclockwise, looking at flywheel
Valve clearance (at 10 - 30 °C) Inlet/exhaust	0,10
Net weight	396
Max. angle from vertical in any direction (in continuous operation)	control side 25° <sup>1)</sup> air outlet side 30° <sup>1)</sup> timing gear side 15° <sup>1)</sup> flywheel side 18° <sup>1)</sup>

1) Exceeding these limits causes engine breakdown.

### Type plate

The type plate is placed on the crankcase resp. on the capsule (chapt. 2) and includes the following engine information:

1. engine type
2. code (only for special equipment)
3. engine number
4. max. engine speed

## Operation

### Engine oil

#### Oil quality

Qualified are all trademark oils which fulfil at least one of the following specifications:

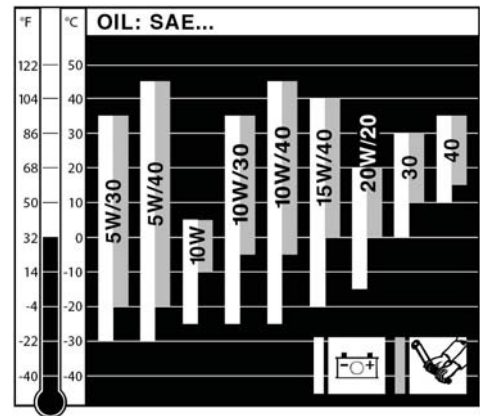
**ACEA - B2 / E2** or more significant **API - CD / CE / CF / CF-4 / CG-4** or more significant.

If engine oils with low quality standard are being used, the intervals of changing the engine oil have to be reduced from 250 to 150 resp. 500 to 250 hours of operation

#### Oil viscosity

Please select the recommended viscosity depending on the ambient temperature at which the engine is operated.

Inappropriate engine oil may shorten the engine's service life significantly.



#### Engine oil quantities and dipstick markings

Engine type 4L41C

Oil content: 13 liter

Dipstick marking item 2:D

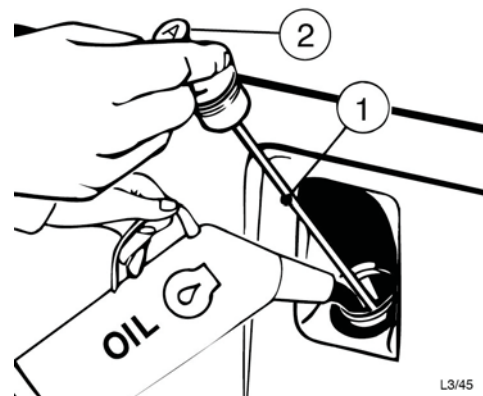
#### Note

The **engine oil contents** stated here are to be regarded as **approximate**.

In all cases, the **MAX** marking on the dipstick **should be complied with**.

The engine should be in a horizontal position before adding oil or checking the oil level.

- Pull out dipstick "1".
- Add engine oil up to the MAX mark on dipstick "1".
- Run the engine for a short time, then check oil level again and correct if necessary.



## BV series pumps

### Fuel



#### **WARNING**

**Stop the engine before refilling the fuel tank. Never refuel near a naked flame or sparks which could start a fire. Don't smoke.**

**Use only pure fuel and clean filling equipment. Take care not to spill fuel.**

All diesel fuels sold as fuel and complying with the following minimum specification can be used:

**EN 590** or

**BS 2869 A1 / A2** or

ASTM D 975 - 1D / 2D

#### **Important**

The use of different specifications requires the prior written consent of the HATZ headquarters.

#### **Important**

Remember to replace the access cover for the fuel delivery pump in the side panel of the engine enclosure after priming the pump.

#### **Low temperature resistance**

At low temperatures, the viscosity of Diesel fuel increases. This may result in clogging of the fuel system. Thus, winter fuel must be used at outside temperatures below 0 °C, or petroleum must be added in time.

Lowest ambient temperature when starting, in °C	Paraffin content for:	
	Summer fuel	Winter fuel
0 up to -10	20%	-
-10 up to -15	30%	-
-15 up to -20	50%	20%
-20 up to -30	-	50%



## Starting



**WARNING**

Do not run the engine in closed or badly ventilated rooms – danger of poisoning !



**WARNING**

Before the engine is started, always make sure that nobody is in the danger area (moving parts on engine or machinery) and that all safety guards are in place.



**WARNING**

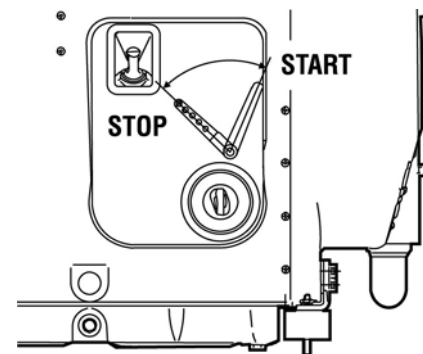
Never use any spray starting aids..

If possible, disengage the engine from any driven equipment. The auxiliary equipment should always be placed in neutral.

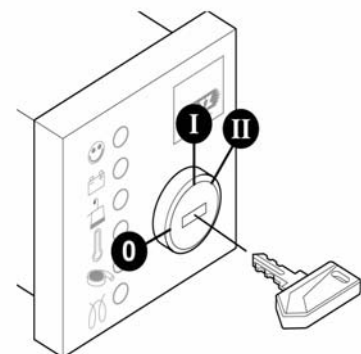


### Starting with the electric starter

- Move the speed control lever to to the 1/2 START or max. START position, according to requirements and starting conditions.  
Note that a lower speed setting will cause less exhaust smoke when starting.

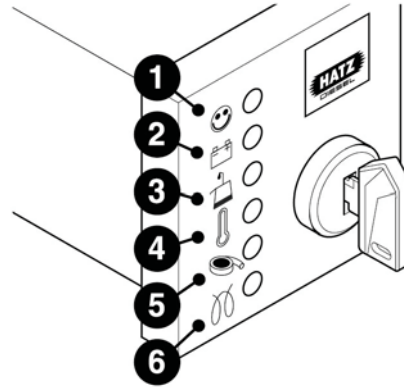


- Insert the key to its stop and turn it to position I



## BV series pumps

- Battery charge telltale "2" and oil pressure warning "3" must light up.
- Turn start key to **position II**.
- As soon as the engine runs, release the start key. It must return to **position I** by itself and remain in this position during operation. The battery charge telltale and oil pressure warning must go out immediately after starting. Indicator light "1" is on when the engine is in operation.
- The air cleaner maintenance indicator "5" only lights up during operation if the air cleaner element needs to be cleaned or renewed.
- The engine temperature display "4" (additional equipment) lights up if the temperature at the cylinder head becomes too high. **Switch off the engine and trace and eliminate the cause of the problem.**
- Always turn the start key back to **position 0** before re-starting the engine. The repeat lock in the ignition lock prevents the starter motor from engaging and possibly being damaged while the engine is still running.



### Important

If a starter protection module is installed, the start key has to be returned to **position 0** for at least 8 seconds after the engine has failed to start or after switching it off before a further attempt can be made to start the engine.

### Note

Start for max. 30 seconds. If the engine does not run after this time, turn starter key back to **position 0** and eliminate the cause.

### Preheating device with automatic heating timer

(additional equipment)

The preheating light "6" lights up additionally at temperatures below 0° Celsius.

- After the light has gone out, start the engine without delay.

### Automatic shut-down function

(additional equipment)

This is characterized by a brief flashing of all pilot lamps once the starter key has been turned to **position I**.

## Important

If the engine cuts out immediately after starting or switches off by itself during operation, a monitoring element in the automatic shutdown system has tripped. The corresponding indicator light will come on.

After the engine has stopped, the display continues to glow for about 2 minutes.

The electrical device then switches itself off automatically. The display lights up again after the start key has been turned back to **position 0** and then to position I again.

Trace and eliminate the cause of the operating fault before trying to restart the engine.

The display light goes out when the engine is next started.

Even with automatic shutdown monitoring the oil level must be checked every 8 – 15 operating hours.

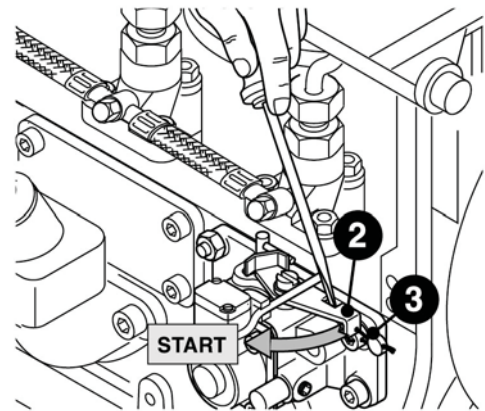
## Emergency starting

If the engine has been stopped by the automatic shutdown system because of an electrical fault signal or inadequate oil pressure, an emergency start can be attempted, though in this case the manufacturer will accept no liability for consequential damage.

An emergency start could for example be unavoidable if the engine is used to power a vehicle which has come to a halt in a potentially dangerous area (for example on a rail crossing or road junction).

Proceed as follows:

- Detach the hood of enclosure or side panel.
- Place a suitable tool, for example a screw driver, behind emergency start lever "2" and pull sharply outwards. This will break the lead seal "3" between the emergency start lever and the screw on the engine block.
- As soon as the emergency start lever is in the starting position, the engine can be started again.



## Important

If the emergency start lever is used, the automatic shutdown system ceases to operate and the warranty is invalidated. For this reason, run the engine only in a genuine emergency and for a very short time (a few seconds) after operating the emergency start lever. Make sure before restarting the engine that there is sufficient oil in the engine; if oil pressure is too low, irreparable engine damage may occur very quickly.

Immediately after running the engine in an emergency, locate the origin of the fault signal and rectify the fault. If any problems arise, please contact the nearest **HATZ service point**.

## BV series pumps

### Stopping the engine

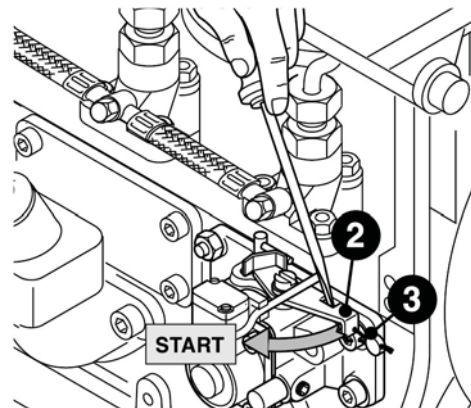


#### **DANGER**

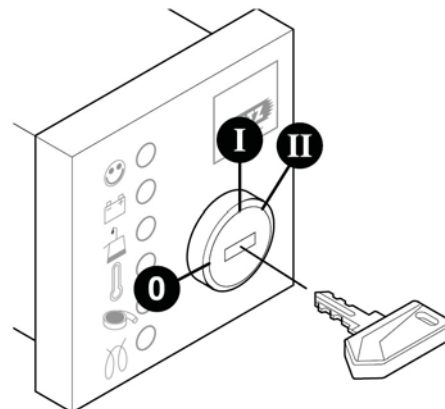
If the engine is shut down for a short period, or at the end of the working day or shift, keep the key and the starting handel in a safe place, out of reach of unauthorized persons.

### Engines with electric starter

- Move the speed control lever to the stop position; the engine will be shut down.



- Turn the starter key to the **0 position** and pull it out. The pilot lamp lights must then go out.



#### **Note**

Engines with an automatic shut-down function can also be switched off by turning the start key back to **position 0**.

## Maintenance



### WARNING

The engine must be stopped before any maintenance work is attempted. Comply with legal requirements when handling and disposing of old oil, filters and cleaning materials.

Keep the engine's starting key out of reach of unauthorized persons.

Disconnect the negative battery terminal.

At the end of the maintenance work, check that all tools have been removed from the engine and all safety guards, covers etc. replaced in their correct positions.

Before starting the engine, make sure that nobody is in the danger area (engine or driven machinery).

## Maintenance summary

Maintenance interval	Maintenance work required
Every 8-15 hours of operation or before daily starting	Check oil level
	Check combustion air intake area
	Check the cooling air system
For new or revised engines after 25 hours	Change the oil and lubricating oil
	Check the valve clearance, adjust if necessary
	Check the bolten connections. Do not tighten the cylinder heads
Once a year (for low usage, independent of the number of working hours)	Change the oil

## Maintenance every 8-15 hours of operation

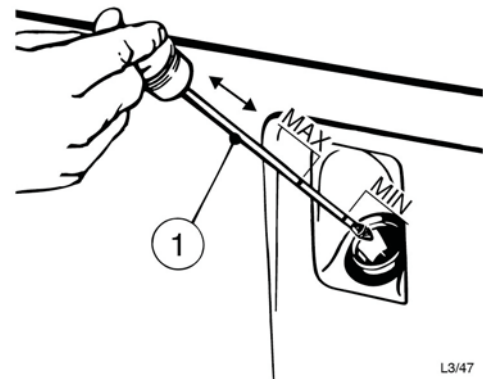
### Checking engine oil level

When checking the oil level, the engine should be standing level and must not be running.

- Check **oil level** at the dipstick. Add oil up to the **MAX mark** on dipstick "1" if necessary.

### Attention

If the engine is operated while the oil level is below the MIN mark or above the MAX mark, it can cause damage to the engine.

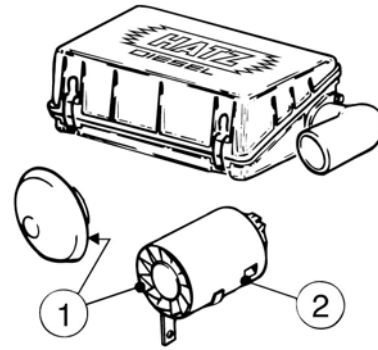


## BV series pumps

### Check combustion air intake area

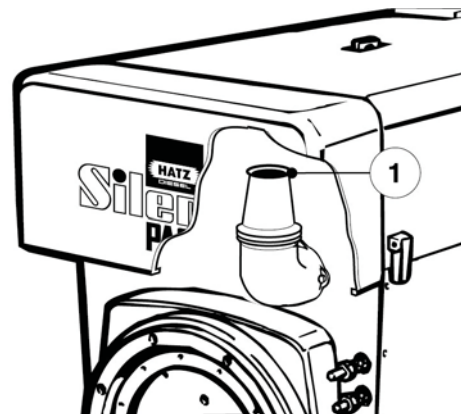
Severe contamination is a sign that the air contains a high level of dust, and that the maintenance intervals should be shortened accordingly.

- Inspect intake opening "1" on the rain protection cap or cyclone separator for severe blockage with dirt, for instance leaves, heavy dust deposits etc., and clean if necessary.



L3/63

- Check for free airflow at dust outlet hole "2" on the underside of the housing, and clean if necessary.
- With oily contamination remove cyclone and clean it.



### Checking the cooling air system

Severe contamination with dirt is a sign that the air contains a high level of dust, and that the maintenance intervals should be shortened accordingly.

- Inspect the air inlet and outlet areas for severe blockage with dirt, for instance leaves, heavy dust deposits etc., and clean if necessary.

Temperature display "4" (if fitted) lights up as soon as the engine starts to overheat. Stop the engine immediately and trace and eliminate the cause of the problem.

**Malfunctions – Causes – Remedies**

<b>Kind of trouble</b>	<b>Possible caused by</b>	<b>Remedy</b>
Engine will not start or is reluctant to start although it can be turned over with the starter	Speed control lever is in stop or idle position.	Move lever to 1/2 START or max. START position according to operating conditions. Lever must remain fixed in this position.
	No fuel reaching injection pump.	Add fuel. Prime the delivery pump until fuel is heard to flow back through the return line to the fuel tank.  Check through the entire fuel supply system systematically. If there is no improvement check - feed line to engine - fuel pre-filter - fuel filter - delivery pump function.
	Compression too low: - incorrect valve clearances	Check valve clearances and adjust if necessary.
	- cylinder or piston ring wear	See workshop manual.
	- fault in automatic decompression device	See workshop manual.
	Injector not working correctly.	See workshop manual.
	Fan drive belt broken.	Renew the Poly-V belt.

If the engine is difficult to start after having been out of use for a lengthy period, but the problem can be solved by priming the delivery pump some time: check that the fuel system is correctly laid out.

## BV series pumps

Kind of trouble	Possibly caused by	Remedy
At low temperatures.	Pre-heat system (optional extra) has a fault.	See workshop manual.
	Fuel has separated (inadequate low-temperature resistance).	Pull off fuel return line and check that clear (not turbid) fuel emerges.  If fuel has separated, heat up the engine or drain the entire fuel supply system. Refill with a fuel mixture that is resistant to low temperatures.
	Starting speed too low: - oil viscosity is too high	Change engine oil; use correct viscosity grade.
	- insufficient battery charge	Check battery; contact specialist workshop if necessary.
	- engine not declutched from machinery	If possible, declutch or otherwise disconnect the engine from the machinery it is used to drive.

Kind of trouble	Possibly caused by	Remedy
Starter motor is not energized, or does not turn the engine over.	Fault in electrical system: - Battery and/or other cable connections are not correct - loose and/or corroded cable connections - battery defective and/or flat - starter motor defective - defective relays, monitoring elements etc.	Check electrical system and its components; consult a specialist workshop if necessary.



Kind of trouble	Possibly caused by	Remedy
Engine fires but does not run after the starter motor is switched off.	Speed control lever not moved far enough in the start direction.	Move lever farther towards "START".
	Engine not decoupled from machinery.	If possible, declutch or otherwise separate engine from the machinery it drives.
	Fuel pre-filter or main fuel filter blocked.	Renew the filter.
	Fuel supply is interrupted.	Check through complete fuel supply system systematically.
	Stop signal from monitoring element for automatic shutdown system (optional extra): - oil pressure lost	Check oil level.
	- air cleaner blocked	Check the amount of dirt adhering to the air filter; clean or if necessary renew.
	- alternator has failed	See workshop manual.

Kind of trouble	Possibly caused by	Remedy
Engine shuts down during operation	Fuel tank is empty.	Add fuel.
	Fuel pre-filter or main fuel filter blocked.	Renew filter.
	Fan drive belt is broken.	Renew the Poly-V belt.
	Mechanical defect.	Contact a specialist workshop.
In addition, if automatic engine shutdown is installed.	Stop signal from monitoring element because of: - oil pressure too low - cylinder head temperature too high	Check engine for: Engine oil level Cooling air passages blocked or cooling system otherwise affected.
	Faults in electrical system, for instance: - poor contact at cable connections - defective alternator - defective relay	Check electrical system and its components; consult a specialist workshop if necessary.

## BV series pumps

Kind of trouble	Possibly caused by	Remedy
Engine power and speed drop	Poor fuel supply: - Tank is running dry.	Add fuel.
	- Fuel pre-filter or main fuel filter blocked.	Renew the filter.
	- Inadequate fuel tank venting.	Ensure that tank is properly vented.
	- Leaks at fuel line connections.	Check threaded unions for leaks.
	- Speed control lever does not remain in the selected position.	Tighten the speed control so that it cannot move accidentally.

Kind of trouble	Possibly caused by	Remedy
Engine power and speed drop, black smoke from exhaust.	Air cleaner is blocked.	Check degree of air cleaner contamination and renew filter element if necessary.
	Valve clearances incorrect.	Adjust valve clearances.
	Injectors not operating correctly.	See workshop manual.

Kind of trouble	Possibly caused by	Remedy
Engine runs very hot. Warning light for cylinder head overheating (optional extra) comes on.	Engine oil level is too high.	Drain off engine oil until level is at upper dipstick mark.
	Inadequate cooling: - Contamination at some point in cooling air supply.	Clean the cooling air path.
	- Missing or loose air guide plates or sections of capsule	Check that all air guide plates and capsule sections are fitted and not leaking.

## Work on the electrical system

**WARNING**

**Batteries generate explosive gases. Keep them away from naked flame and sparks which could cause them to ignite.**

**Do not smoke.**

**Protect the eyes, skin and clothing against battery acid. Pour clear water over acid splashes immediately. In case of emergency call doctor.**

**Do not place any tools on top of the battery.**

**Always disconnect the negative (-) terminal of the battery before working on the electric device.**

- The **positive (+)** and **negative (-)** battery terminals must not be accidentally interchanged.
- When **installing the battery**, connect the **positive (+) lead** first, followed by the **negative (-) lead**. Negative pole to earth (ground) on engine block.
- When **removing the battery**, disconnect the **negative (-) lead** first, followed by the **positive (+) lead**.
- In all circumstances, **avoid short circuits** and shorts to earth (ground) at live cables.
- If electrical faults occur, first check for good contact at the **cable connections**.
- Replace a failed indicator light without delay.
- Do not take the key out while the engine is running.
- Never **disconnect the battery** while the engine is running. Electric voltage peaks can cause damage to electrical components.
- **Do not** splash electrical system with water jet or pressure jet during engine cleaning.
- When carrying out **welding work** on the engine or attached equipment, attach the earth (ground) clip as near as possible to the welding point, and disconnect the battery. If an alternator is fitted, separate the plug connector leading to the voltage regulator.

The relevant circuit diagrams are supplied with engines which have an electrical system.

Additional copies of circuit diagrams can be obtained on request.

HATZ assumes no liability for electrical systems which have not been carried out acc. to HATZ circuit diagrams.

# 9 Maintenance

## 9.1 General

When maintenance is insufficient, incorrect and/or not performed regularly this can lead to malfunctions of the pump or pump unit, danger to the user, high repair costs and lengthy breakdowns. BBA Pumps is not responsible for accidents and damage that result from failure to follow the instructions.

Only the operations described in this manual may be performed. Other operations must be performed by employees of BBA Pumps or authorised maintenance technicians.

To guarantee reliable operation, installed backup pumps must be operated briefly once a week.

For parts, see [www.bbapumps.com](http://www.bbapumps.com) or contact the BBA Pumps parts department.

### Manual for the drive motor

Depending on which drive motor is used, this user manual may be accompanied by the manual for the drive motor. The manual for the drive motor contains detailed information about the procedures that are to be followed and the associated safety instructions. Read the supplied manual carefully and follow the procedures and safety instructions. If the pump is driven by a motor not supplied by BBA Pumps, the maintenance instructions for that motor must be followed.

## 9.2 Safety instructions during maintenance, repair and inspection

- When necessary, make use of personal protective equipment.
- It is only permitted to work on the pump when it has been put out of operation. To put it out of operation, follow the prescribed procedure.
- Protect the drive motor against unintended and unauthorised activation throughout the duration of the work activities.
- When opening the pump follow all the instructions for handling the pumped liquid, such as protective clothing, no smoking, etc.
- For more information, consult the Material Safety Data Sheet (MSDS) for the pumped liquid.
- Only remove the guard from the coupling when the pump is at a standstill.
- Maintenance work on the electrical system may only commence after the power supply has been disconnected and may only be performed by personnel who have been trained and authorised to do so.
- When the work is complete, all the protective guards must be installed and the protection system must be activated.
- Use only original parts or parts provided or approved by the supplier for repairs.

### 9.3 Protecting electrically driven pump unit against unintended activation

- Switch off the isolation switch by the pump.
- Switch off the main switch for the pump.
- Block the main switch, and lock it with a padlock if possible, to prevent unauthorised activation. Take the key for the lock with you.
- If it is not possible to do this, remove the corresponding fuse from the pump.
- Place a sign near the main switch or pump fuse holder with the text 'Do not switch on – work in progress!'

### 9.4 Protecting diesel engine driven pump unit against unintended activation

- Stop the engine and, if applicable, remove the key from the switch. Take the key with you.
- If applicable, switch off the earth switch for the engine. Take the key for the earth switch with you.
- If it is not possible to do this, remove the earth cable from the batteries.
- Place a sign near the earth switch or disconnected battery cable with the text 'Do not switch on – work in progress!'

### 9.5 Maintenance instructions

- Clean the pump before beginning the work. Make sure the work area is clean.
- Use the correct tools and make sure they are in good condition. Use them in the proper manner.
- Replace damaged bolts, nuts and/or parts with damaged threads with new parts of the same fastener class.
- Replace used seals or tape. Only replace the flat and filled seals under the plugs with original seals from BBA Pumps.

### 9.6 Daily maintenance of the pump

- Check for leaks from the pump and pipes
- Check the shaft seal for leaks
- Check the pressure and temperature of the barrier fluid and/or flush water, if applicable.
- Check the oil level of:
  - vacuum pump bearings
  - pump bearings
  - shaft seal
- Check the operation of the non-return valve.
- Check the operation of the float.
- Check for contamination of the suction strainer and/or filter, if present.
- If the pump unit is equipped with a roof panel with a rain gutter, check the rain gutters\* on both sides to make sure there is no blockage in the drain hoses. These hoses lead to the centre door posts of the pump unit.  
These hoses must be cleaned if they are blocked.

### 9.7 Other pump maintenance

#### Every 6 months or 500 hours

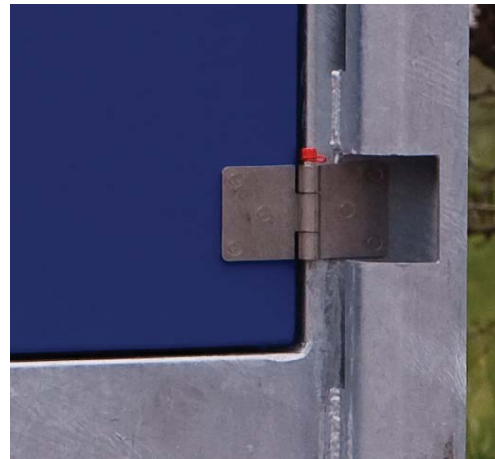
- Check the drive belt for the vacuum pump for cracks.
- Check the parts of the electrical system for visible damage.
- Change the oil in the vacuum pump bearings.\*\*
- Change the oil in the pump bearings.\*\*
- Change the oil in the mechanical shaft seal.
- Lubricate the hinges of the pump unit with a grease gun, if applicable.

\*\*First replacement after 250 hours.

#### Every 12 months or 1000 hours

- Change the oil in the shaft seal.
- Replace oil in the gearbox\*\*\* (if present)

\*\*\* First replacement after 100 hours.

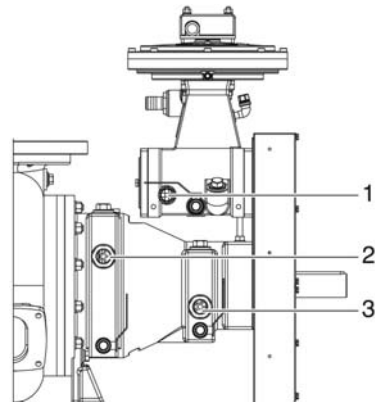


## Checking the shaft seal oil level

### Note

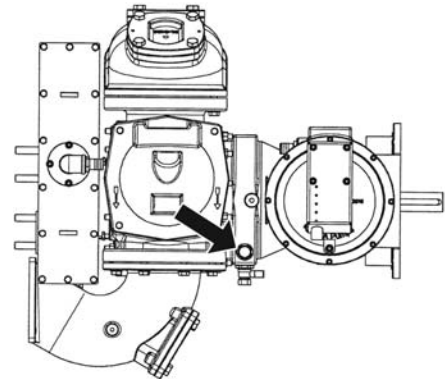
Some pump unit versions have a sight tube instead of a sight glass.

1. Check the oil level with the pump stopped.
2. The sight glass (2) must be at least half filled.
3. The colour of the oil may range from clear to grey/white.



### Note

Due to slight leakage of the seal, the level may rise. This is not a problem until oil escapes from the vent. If this occurs, the shaft seal must be replaced by an authorised technician.



### WARNING

Leakage of oil can be extremely harmful to the environment. Do everything necessary to prevent oil leakage.

## BV series pumps

### Checking the oil level of the bearings in the vacuum pump and pump

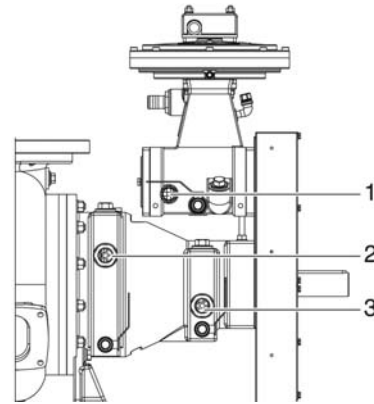
Some pump unit versions have a sight tube instead of a sight glass.

1. Check the oil levels with the pump stopped.
2. The sight glasses (1 and 3) must be at least half filled.
3. The oil may not be discoloured.

#### Note

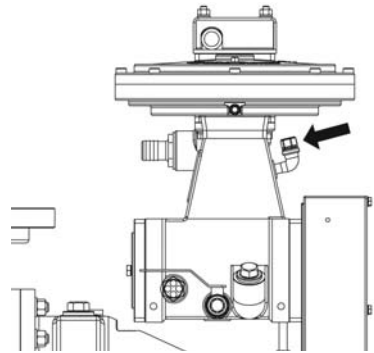
When the oil has become grey/white in colour, this indicates a leak and the pump must be switched off immediately to prevent damage to the bearings.

If this occurs, the shaft sealing ring must be replaced by an authorised technician.



### Checking the operation of the float

Check whether damp air is coming out of the vacuum pump exhaust. If so, an authorised technician must check the seal/adjustment of the float.



### Changing the oil in the bearings and shaft seal.

Bearing block for pump + bearing block for vacuum pump	Standard oil	Temperature	Light/average load	Heavy and jolting load
	15W40	-30 °C to 0 °C	ISO VG 15, 22, 32 machine oil	
	15W40	0 °C to 50 °C	ISO VG 15, 22, 32 bearing or turbine oil	ISO VG 15, 22, 46 bearing or turbine oil
	15W40	50 °C to 80 °C	ISO VG 46, 68, 100 bearing or turbine oil	ISO VG 68, 100, 150 bearing or turbine oil

**Oil, seal chamber:** ISO VG32, Unavis N32 or SAE5



**Note**

Consult the oil supplier for a product that meets the established specification and to determine the miscibility of the oils.



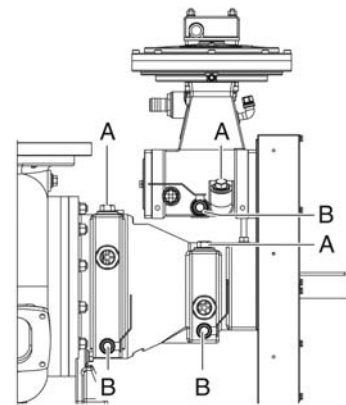
**WARNING**

Use the same type of lubricating oil the bearing was originally provided with. Some types of lubricating oil are incompatible and if mixed can cause severe damage to the bearings and the pump.

Fill quantity

Pump	Shaft seal	Pump bearings	Bearings in vacuum pump MP 100
BV	2.5 litres	1.2 litres	0.9 litres

1. Remove the fill plugs (A).
2. Place a suitable drain pan under the drain plug or valve (B).
3. Remove the plug or open the valve.
4. Allow the oil to drain thoroughly.
5. Re-install the drain plug with a new seal or close the valve.
6. Fill the chamber with the prescribed oil until the level reaches the middle of the sight glass.
7. Re-install the drain plug with a new seal.
8. Dispose of the oil in a responsible manner.



**WARNING**

The oil must never be filled beyond a level that is visible in the sight glass. The pump can be damaged by an excessive oil level.

### 9.8 Shipping the pump or pump unit

If the pump must be sent to the supplier for major maintenance, repair or overhaul, the following conditions must be met:

- The pump must be drained and thoroughly cleaned inside.
- All compartments of the drip tray under the pump and motor/engine must be drained prior to transport.



**WARNING**

**Leakage of environmentally harmful liquids can be extremely damaging to the environment. Do everything necessary to prevent this.**

- For compliance with the safety and environmental regulations, the shipment must be accompanied by a 'Declaration of no objection'.

### 9.9 Drain and clean pump



**WARNING**

**Take the necessary precautionary measures in the case of hot, volatile, flammable and hazardous liquids.**



**WARNING**

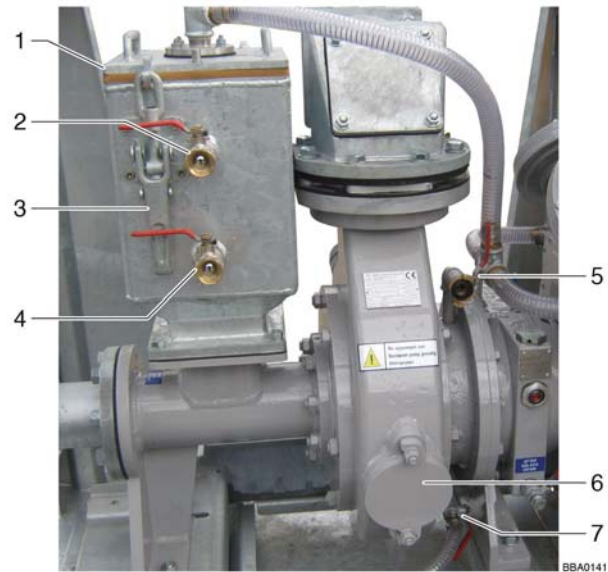
**Leakage of environmentally harmful liquids can be extremely damaging to the environment. Do everything necessary to prevent this.**

**Note**

For liquids that congeal, close off the suction and pressure pipes and drain the pump and the vacuum pump as soon as the pump has been stopped.

1. Stop the pump.
2. Take measures to prevent unauthorised starting.
3. Allow the pump or pump unit to cool, if the pumped liquid will not congeal.
4. Close off the pressure and suction pipes as close as possible to the pump or pump unit.

5. Connect a discharge hose to the drain valve (7). Capture the drained liquid.
6. Open the drain valve (7).
7. Connect a water hose to valves 2, 4 and 5, one at a time, and flush the pump with clean water until water flows out of the discharge hose.
8. Remove the crossbar bolts on the float chamber.
9. Remove the cover from the float chamber.
10. Check the float chamber for traces of liquid.
11. Clean the float chamber, float and valve seat with clean water.
12. Check the valve seat for wear. Replace, if necessary.
13. Open the inspection cover (6).
14. Check the inside of the pump housing for traces of liquid.
15. In necessary, rinse out the inside of the pump housing with clean water again.
16. Check the seal of the inspection cover (6) and fit the cover (6).
17. Check the seal of the cover (1) and fit the cover (1).
18. Close valves (2), (4), (5) and (7).
19. Dispose of the drained liquid in a responsible manner and in accordance with the local regulations, company regulations and MSDS for the liquid.



### 9.10 External cleaning of the pump or pump unit

A pressure washer may be used, but only in accordance with the following instructions:

- Never clean a pump or pump unit that is in operation.
- Switch off the pump or pump unit before cleaning.
- In the case of an electric drive, switch off the main switch of the electrical system.
- Allow the pump or pump unit to cool before beginning with the cleaning.
- Maintain distance between the spray nozzle and the part being cleaned.
- To prevent penetration of water, never spray directly towards bearings or seals.
- Never spray directly towards connection boxes, connectors, outlets and other electrical connection components.
- Check the protection level of the electrical components. Use a cleaning method appropriate to the protection rating. See the technical specifications of the pump unit.



#### **WARNING**

**Failure to follow the guidelines above can lead to dangerous situations and cause damage (possibly severe) to the pump.**



#### **WARNING**

**Take the necessary personal protective measures during cleaning, such as those concerning protective clothing, safety goggles, etc. Also be especially careful in the case of hot, volatile, flammable and hazardous liquids. Adapt the protective measures accordingly.**

## 10 Troubleshooting tables



**WARNING**

In the event of a malfunction or abnormal operation, shut off the pump or pump unit immediately to prevent a dangerous situation and/or damage (possibly severe) to the pump or pump unit.

Inform the responsible persons. Determine the cause of the malfunction. Resolve the problem before restarting the pump.

### 10.1 Troubleshooting table – pump (general)

Problem	Cause	Possible solution
Pump does not deliver any liquid	Incorrect direction of rotation	Reverse direction of rotation
	Vacuum pump does not draw a vacuum	Inspect vacuum pump
	Gas or air is released from the liquid	Ensure that the liquid flows more slowly/ smoothly
	Air pockets form in the suction line	Eliminate air entrapment to the extent possible
	Inlet of the suction pipe is insufficiently submerged	Submerge the suction line more deeply
	Foreign object in the impeller	Clean impeller
	Insufficient lubrication	Lubricate
	Manometric suction height undercalculated	Place pump higher, if possible Otherwise: use a different type of pump
	The suction height is too great or there is too little difference between the geometric height and the vapour tension of the liquid (NPSH too low)	Place pump at a lower height Otherwise: use a different type of pump
	The suction pipe is clogged	Clean
	The pressure pipe is clogged	Clean
	There is a leak in the suction pipe	Eliminate leak

## BV series pumps

<b>Problem</b>	<b>Cause</b>	<b>Possible solution</b>
Pump provides insufficient capacity	Gas or air is released from the liquid	Ensure that the liquid flows more slowly/ smoothly
	Air pockets form in the suction line	Eliminate air entrapment to the extent possible
	Inlet of the suction pipe is insufficiently submerged	Submerge the suction line more deeply
	Incorrect direction of rotation	Reverse direction of rotation
	The wear plate/ring or impeller is worn	Adjust or replace wear parts
	The impeller is damaged	Repair or replace
	Manometric suction height undercalculated	Place pump higher, if possible Otherwise: use a different type of pump
	The suction height is too great or there is too little difference between the geometric height and the vapour tension of the liquid (NPSH too low)	Place pump at a lower height Otherwise: use a different type of pump
	The operating speed is too low	Increase speed
	The suction pipe is clogged	Clean
	The liquid has a higher s.g. or viscosity than that for which the pump is intended	use a different type of pump
	There is a leak in the suction pipe	Eliminate leak
	Non-return valve is not opening all the way	Make sure the valve has a sufficient flow capacity

Problem	Cause	Possible solution
Pump stops immediately after starting	Vacuum pump does not draw a vacuum	Inspect vacuum pump
	Gas or air is released from the liquid	Ensure that the liquid flows more slowly/smoothly
	Air pockets form in the suction line	Eliminate air entrapment to the extent possible
	Inlet of the suction pipe is insufficiently submerged	Submerge the suction line more deeply
	The suction height is too great or there is too little difference between the geometric height and the vapour tension of the liquid (NPSH too low)	Place pump at a lower height; Otherwise: use a different type of pump
	The suction pipe is clogged	Clean
	There is a leak in the suction pipe	Eliminate leak

Problem	Cause	Possible solution
Pump is demanding abnormal amount of power	Incorrect direction of rotation	Reverse direction of rotation
	Foreign object in the impeller	Clean impeller
	The shafts are not in alignment with one another	Align unit
	The shaft is bent	Replace shaft
	Rotating parts are rubbing against stationary parts	Adjust everything and align if necessary
	The wear plates/ring or impeller is/are worn	Adjust or replace wear parts
	The impeller is damaged	Repair or replace
	The seal is not installed properly	Install properly; replace seal if necessary.
	Inadequate lubrication or insufficient lubricant in the bearing housing, possibly as a result of a leak; can be identified by higher than normal temperature	Follow good service plan
	In this application the pump is not functioning in the intended range	Make changes to the piping system, if possible Otherwise: use a different type of pump
	The liquid has a higher s.g. or viscosity than that for which the pump is intended	Change temperature of liquid, if possible. Otherwise: use a different type of pump

## 10.2 Troubleshooting table – electric drive

<b>Problem</b>	<b>Cause</b>	<b>Possible solution</b>
Pump does not deliver any liquid	Incorrect direction of rotation	Reverse direction of rotation

<b>Problem</b>	<b>Cause</b>	<b>Possible solution</b>
Pump provides insufficient capacity	Incorrect direction of rotation	Reverse direction of rotation
	The operating speed is too low	Increase speed

<b>Problem</b>	<b>Cause</b>	<b>Possible solution</b>
Pump is demanding abnormal amount of power	Incorrect direction of rotation	Reverse direction of rotation

<b>Problem</b>	<b>Cause</b>	<b>Possible solution</b>
Drive unit is overloaded	Incorrect direction of rotation	Reverse direction of rotation
	The operating speed is too high	Reduce operating speed

<b>Problem</b>	<b>Cause</b>	<b>Possible solution</b>
Pump does not rotate	Defective fuse	Check fuses and replace if necessary
	Not receiving any power	Check electrical connections
	Coupling between motor and pump is defective	Replace the coupling

### Note

Only replace a fuse with a fuse of the original type, with the specified rating.



### 10.3 Troubleshooting table – diesel engine drive

<b>Problem</b>	<b>Cause</b>	<b>Possible solution</b>
Pump provides insufficient capacity	The operating speed is too low	Increase speed

For other diesel engine malfunctions, see the manufacturer's documentation.

# 11 End of life

## 11.1 Disposal

If the pump or pump unit is scrapped and disassembled at the end-of-life, the regulations for waste disposal in force at the time and location of disassembly must be observed.

The pump or pump unit is constructed of common materials.

At the time of construction there were waste disposal methods available for these materials.

After careful cleaning of the pump and pump unit at the time of construction there were no special risks known for persons responsible for the disassembly work.

Observe the environmental regulations in force at the time of disassembly to prevent environmental pollution.

Prior to beginning disassembly, complete the following tasks:

- Drain the pump and clean the inside of the pump (see chapter 10).
- For a diesel engine drive, follow the guidelines provided by the manufacturer of the diesel engine.
- Remove the fuel from the fuel tank.
- Drain the coolant.
- Keep the liquids separate and submit them to a collection centre authorised for their disposal.

# CE Declaration

IIA Certificate:

## Declaration of Conformity

as defined by EC Machinery Directive 98/37/EC, Annex IIA.

Manufacturer: **B.B.A. Pompen & Buizen BV, Zutphensestraat 242,  
7325 WV Apeldoorn**

Product: **BV series pumps**

We hereby declare that all the pumps listed above are in conformity with the provisions of:

- the Machinery Directive (2006/42/EC, as last amended)
- the Low Voltage Directive (directive 2006/95/EC, as last amended) - if equipped with an electric motor
- the EMC Directive (2004/108/EC, as last amended) - if equipped with an electric motor

The pumps comply with the harmonised standards:

- NEN-EN 809:1998 Pumps and pump units for liquids - Common safety requirements.

**NOTE: This declaration is only valid if the pump or pump unit is installed in accordance with the operating guidelines and associated technical specifications.**

J. Bruin  
BBA Pompen en Buizen BV



General Manager

**BBA Pumps BV**

Postbus 498

7000 AL Doetinchem – Netherlands

p +31 (0)314-368 436

e [info@bbapumps.com](mailto:info@bbapumps.com)

i [www.bbapumps.com](http://www.bbapumps.com)

**B.B.A. Pumps PL sp. z o.o.**

ul. Geodetów 176

PL-05-500 Piaseczno – Poland

p 022 713 86 11

e [info@bbapumps.pl](mailto:info@bbapumps.pl)

i [www.bbapumps.pl](http://www.bbapumps.pl)

**BBA Pumps Inc.**

1129 Cainhoy Road Unit C

Wando SC 29492 – USA

p 843.849.3676

e [info@bbapumps.com](mailto:info@bbapumps.com)

i [www.bbapumps.com](http://www.bbapumps.com)



9700010311