



Pump specifications:

Type.....	B58 BVGMC
Max. flow	44 m ³ /hour
Max. head.....	56 mwc
Connections.....	3" BSP
Free passage.....	22 mm
Impeller type	Open impeller
Electric motor.....	11 kW – 2 pole
Pump speed	2900 rpm
Voltage	400/690V 50Hz
Assembly	Monobloc
Weight (net)	140 kg

FEATURES

B self-priming centrifugal pump

The B range of pumps has been designed with a clear focus on reliability, efficiency and durability, ranging from 1-1/2" to 12". Featuring an open impeller configuration in combination with a changeable wear plate, facilitating servicing and minimising costs of spares. All B series pumps are fitted with a non return valve in the suction port, eliminating the need for a foot valve in suction line and allowing quick priming.

Design features

- Basic, reliable technology
- Large solids handling capacity
- Suitable for use with hot fluids
- Wet self-priming
- Cooled shaft seal
- Extended life due to pump design

Fields of application

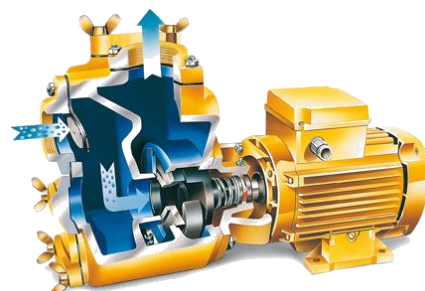
- Shipping
- Industry
- Construction
- Waste water management
- Emergency pump units
- Irrigation
- Agriculture
- Horticulture

Complete package designed & built by BBA Pumps

- Complete in-house design & production
- Over 60 years of experience in the market
- Extensive testing facility in-house
- Contemporary & functional design
- Durable & eco-friendly materials
- Custom builds available

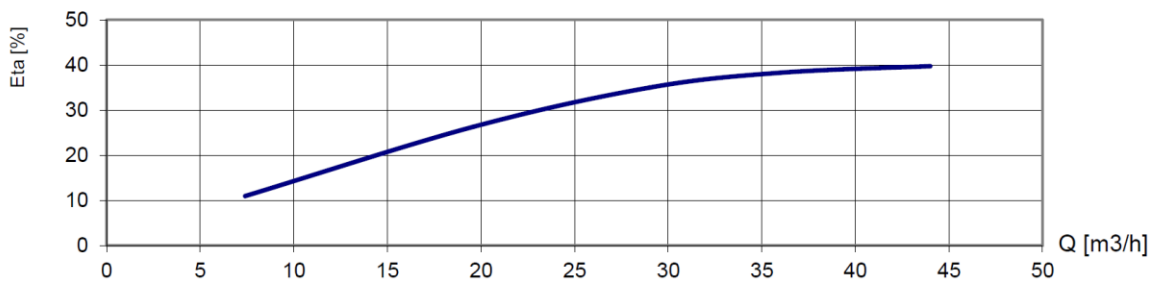
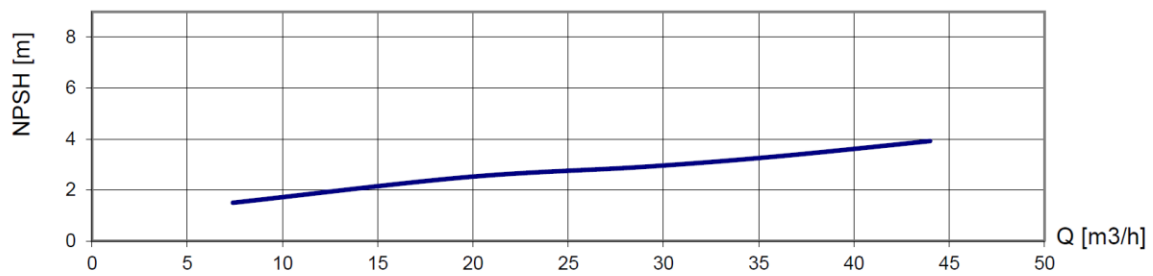
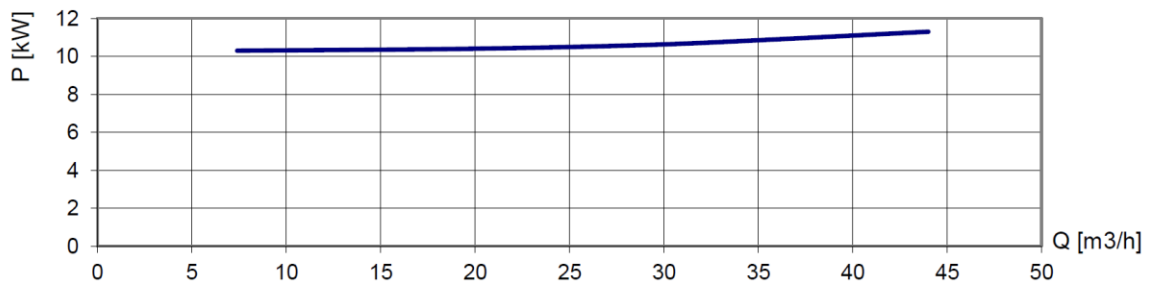
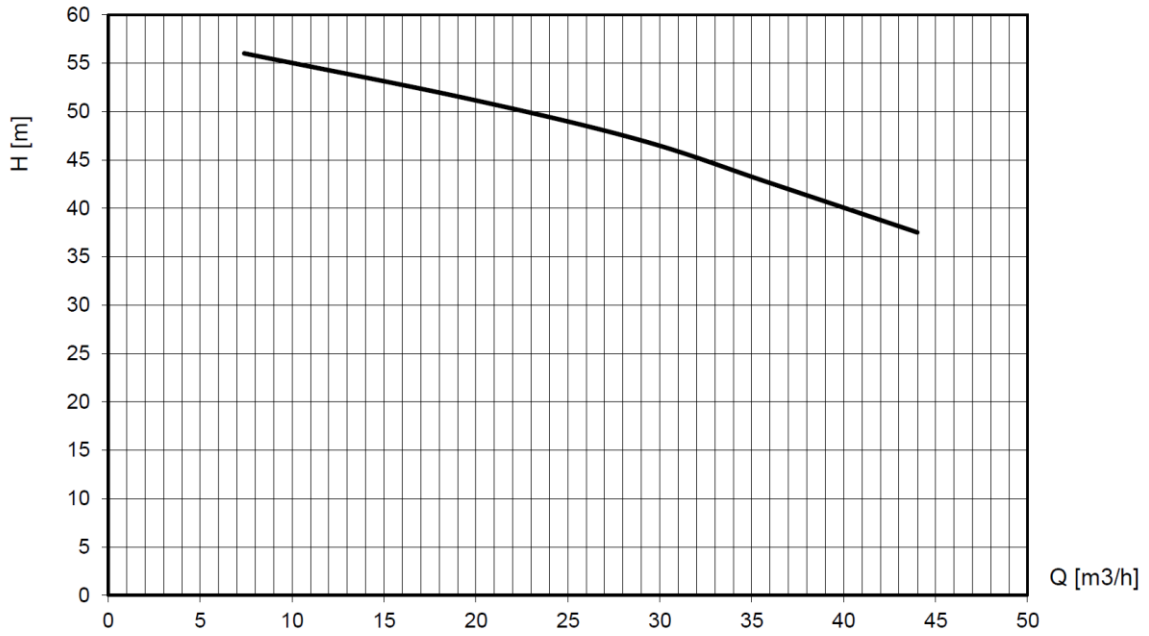
After sales service & product support

- Single supplier for parts, spares & accessories
- Dedicated customer help-desk (24h service)
- Dedicated service department in-house
- Global parts distribution network
- Optional global on-site servicing
- Extensive training options available (technical & commercial), on-site or in-house



PERFORMANCE CURVES (2900 RPM)

Continuous duty according ISO 9906



STANDARD TECHNICAL SPECIFICATIONS

BBA centrifugal pump

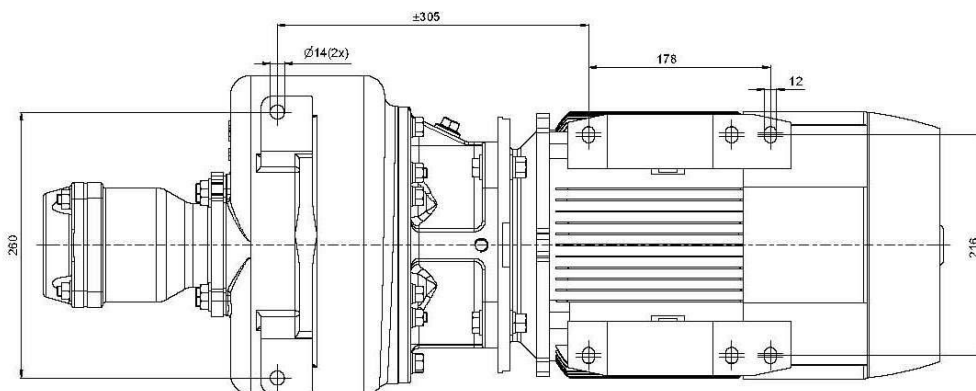
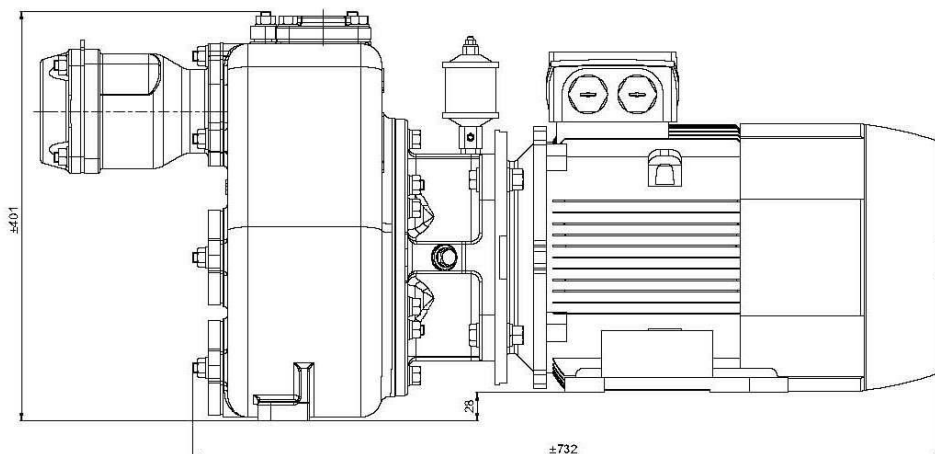
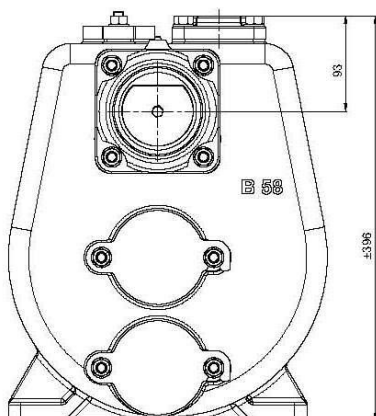
Model..... B58 BVGMC
 Max. flow..... 44 m³/hour
 Max. head..... 56 mwc
 Free passage..... 22 mm
 Pump speed..... 2900 rpm
 Connections..... 3" BSP

Electric motor

Power..... 11 kW – 2 pole
 Voltage..... 400/690 V
 Frequency..... 50 Hz
 Mounting..... B3/B14A, IP55, ISO F
 Assembly..... Monobloc

Materials

Pump casing..... Cast iron GG20 – 0.6020
 Wear plate..... Cast iron GG20 – 0.6020
 Impeller..... Cast iron GG20 – 0.6025
 Shaft seal..... Mechanical seal
 Seal faces..... Sic / Sic / Viton
 Pump shaft..... Steel C45 – 1.1191
 Gaskets..... NBR / Paper



Actual dimensions (in mm & inches) may vary depending on selected motor IEC standard.