


Pump specifications:

Type.....	BA300E D328
Max. flow	1280 m ³ /hour (5630 US gpm)
Max. pressure	21 mwc (70 ft.)
Solids handling	120 x 105 mm
Impeller type	Semi-open impeller
Priming system	BBA MP100
Engine	Perkins 904J-E36TA
Emission compliant.....	Tier 4 final - Stage V
Canopy	M12-29
Discharge x suction	12" x 12" flanges
Sound level.....	Approx. 72 dB(A) at 10 m
Dry weight.....	3600 kg (7920 lbs.)

FEATURES
BA auto prime pump

The BA range of pumps has been designed with a clear focus on reliability, efficiency and durability. Featuring a 100% mechanical priming system, the BA series pumps quickly prime and re-prime, even from dry conditions. The heavy build style of both pump and canopy make the BA range perfect for use in the strenuous contractor market.

World-class performance

The BA range is built to be deployed on the most demanding dewatering and sewage bypassing applications. Using high efficiency pumps and state-of-the-art diesel engines, the pumps offer maximum performance at minimal cost, fully in-sync with the company philosophy of "Lowest cost of ownership".

Sustainability

- High efficiency pumps minimising fuel consumption
- Corrosion free hot dip galvanized canopy
- Corrosion free composite door panels
- 100% Oil-spill free priming system
- Fully bunded unit eliminating fuel/oil spills at all times

Complete package designed & built by BBA Pumps

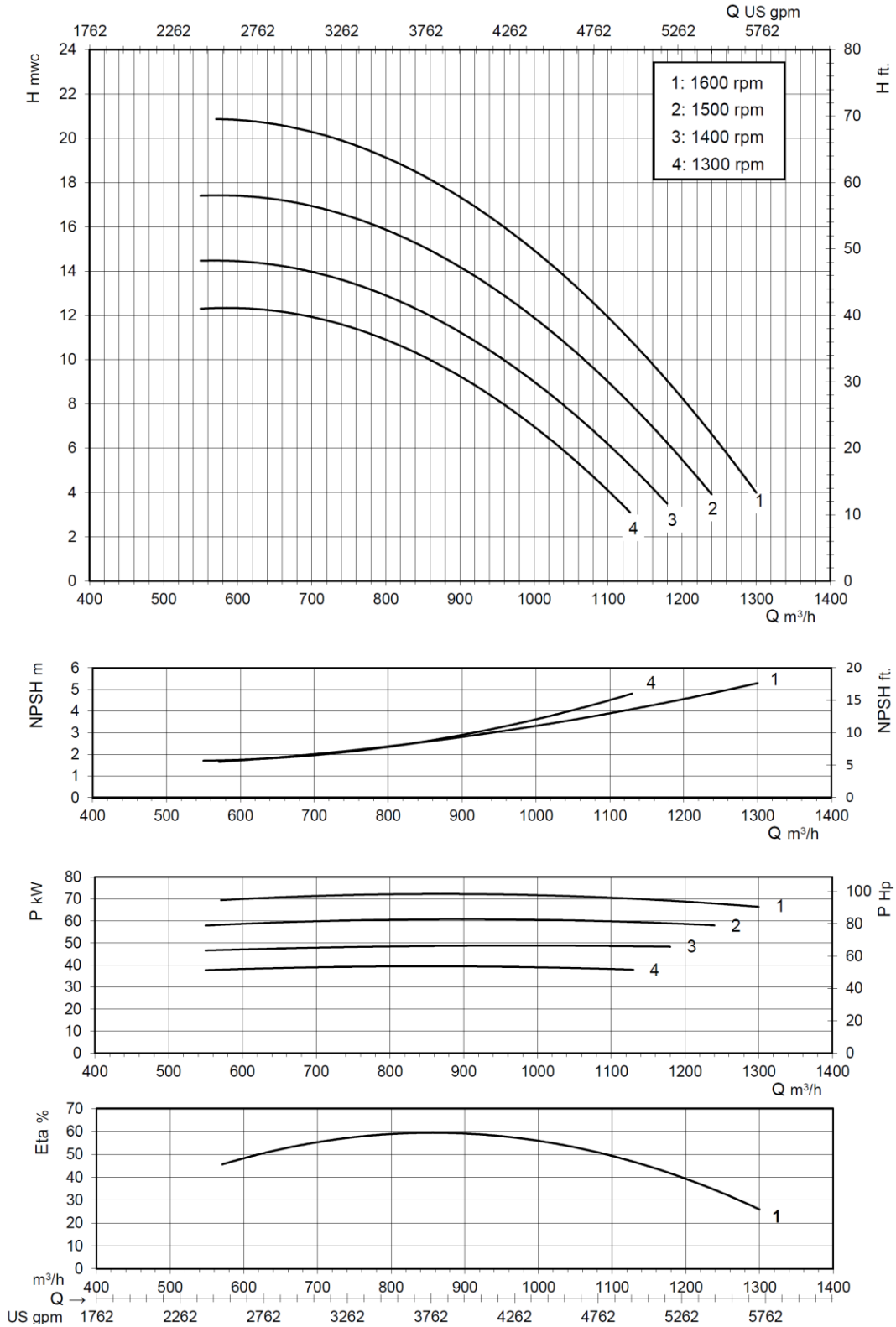
- Complete in-house design & production
- Over 60 years of experience in the market
- Extensive testing facility in-house
- Contemporary & functional design
- Durable & eco-friendly materials
- Custom builds available

After sales service & product support

- Single supplier for parts, spares & accessories
- Dedicated customer help-desk (24h service)
- Dedicated service department in-house
- Global parts distribution network
- Optional global on-site servicing
- Extensive training options available (technical & commercial), on-site or in-house

PERFORMANCE CURVES

Continuous duty according ISO 9906



STANDARD TECHNICAL SPECIFICATIONS
BBA auto prime pump

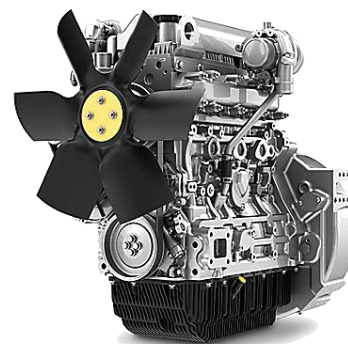
Pump type.....	BA300E D328
Max. flow.....	1280 m ³ /hour (5630 US gpm)
Max. head.....	21 mwc (70 feet)
Impeller type.....	Semi-open impeller
Solids handling.....	120 x 105 mm (4.7 x 4 inch)
Pump casing.....	Cast iron GG20
Impeller.....	Ductile iron GGG70
Self-cleaning wear plate.....	Cast iron GG25 (w/ cutter slots)
Pump shaft.....	42CrMo4 heat treated
Shaft seal.....	Mechanical seal
Seal faces.....	Tung/Tung
O-ring.....	Viton


BBA priming system

Pump type.....	BBA MP100 Diaphragm pump
Air handling capacity.....	100 m ³ /h (59 CFM)
Max. vacuum.....	8,5 m (29 inHg)
Drive.....	Toothed belt (continuous drive)
Float box.....	Aluminium
Non return valve.....	Cast iron GG25
Check valve disc.....	Buna-N

Engine

Engine brand.....	Perkins
Engine type.....	904J-E36TA
Max. power @ 2400 rpm.....	90 kW (122 Hp)
Engine speed.....	1300 - 1600 RPM
Fuel consumption.....	215 g/kWh
Displacement.....	3,6 litres
Number of cylinders.....	4
Aftertreatment.....	DOC, DPF and SCR
Emissions compliant.....	Tier 4 final - Stage V


BBA control panel LC45

- Auto start/stop system
- Two float switches included (10m cable)
- Key switch
- Rpm. control with push buttons
- Warning lights
- 4.3" LCD display

The LCD monitor displays additional engine data, e.g. actual engine speed, working hours, battery voltage, fuel consumption and failures in clear text (Multilanguage support)


Fuel system

- Composite fuel tank 300 L (80 US gallon)
- Composite DEF tank 38 L (10 US gallon)
- Electronic fuel injection system

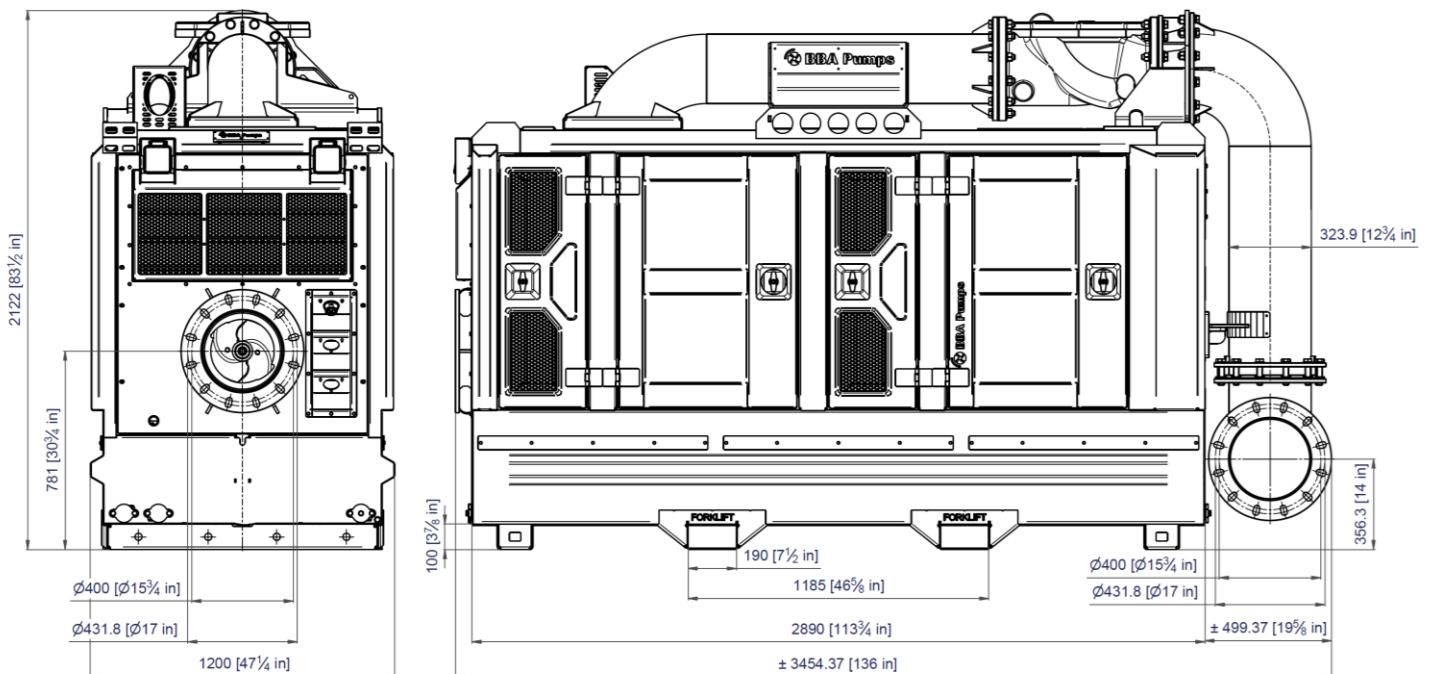
Electrical system & safety features

- Nominal voltage 12 Volt
- Premium quality battery
- Low oil pressure shut down

CANOPY M12-29 (discharge roof pipe)

BBA sound attenuating canopy

Canopy type.....	M12-29
Dimensions L x W x H	3455 x 1200 x 2125 mm
Dimensions L x W x H	136 x 47.2 x 83.5 inch
Discharge connection	12" DIN / ANSI flange with PCD K400 / K431,8 rotatable (12 holes)
Suction connection	12" DIN / ANSI flange with PCD K400 / K431,8 (12 holes)
Basic frame	Hot dip galvanised steel
Doors	8 composite easy-access doors (lockable)
Fuel tank	Composite net 300 ltr (80 US gallon)
Fuel tank autonomy	15 hours (at 1600 rpm BEP)
Fuel tank cap	100 mm (4 inch)
Additional	External fuel tank connection
DEF tank	Composite net 38 ltr (10 US gallon)
Forklift pockets	Fitted with 2 forklift pockets
Lifting point	Fitted with lifting points
Lighting	Interior and exterior lighting
Electrical isolation	Battery isolator switch
Safety	Emergency stop
Aftertreatment	Fully integrated in the canopy
Additional	Fitted with oil-water separator
Documentation box	BBA user manual and warranty book



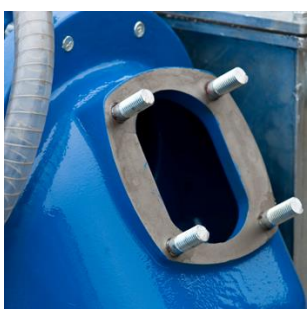
Actual dimensions may vary depending on selected quick couplings.



Fuel tank
Fully bunded, corrosion-free, 300 liter, high-density polyethylene (HDPE) fuel tank, located in base of canopy.



LED lights
Fully integrated in the canopy for easy operation throughout the evening and night.



Large inspection covers
Easy access to float box, impeller and non-return valve.



Safety
Extremely durable and lockable T-locks offering perfect grip.



4 Year limited warranty
The BBA limited warranty covers years or operating hours whichever occurs first. For more details please consult the BBA warranty book.



User Manual
Extensive user manual with important information concerning the pump unit, pump installation and safety warnings. Available in several languages.

Pump specifications are subject to change without prior notice to improve reliability or design.